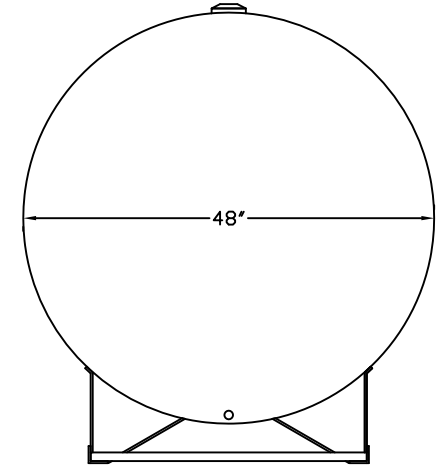
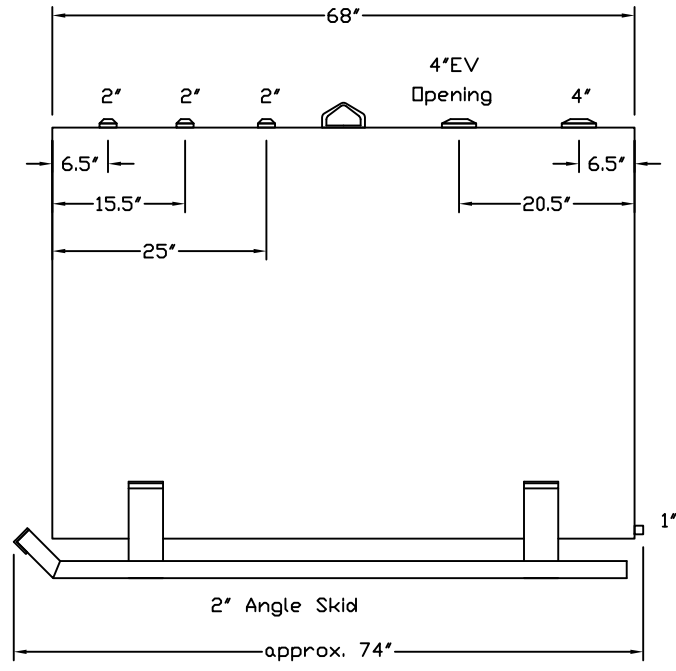
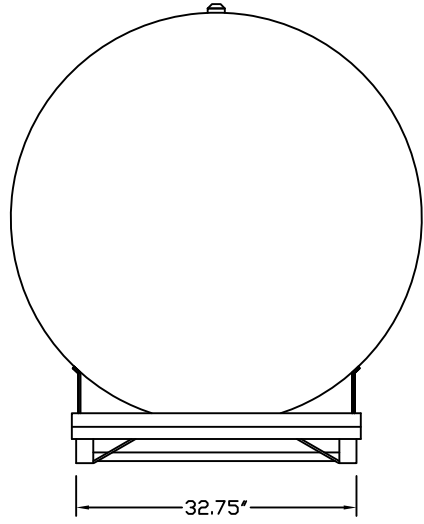


Stanwade Metal Products, Inc.
 6868 State Route 305 PO Box 10
 Hartford, Ohio 44424
 Phone: 800-826-5243 Fax: 1-330-772-3307
 www.tankstore.com

Capacity _____ 520 Gallons
 Design _____ Singlewall Skid
 Code _____ UL 142
 Test Pres. _____ 5 PSI
 Heads Primary _____ 12 Ga.
 Shell Primary _____ 12 Ga.
 Heads Secondary _____
 Shell Secondary _____

Paint Ext. _____ Red Primer
 Paint Int. _____
 Weight Empty _____ 600 lbs.
 Rev.# _____ Date: _____

Tank For Stationary Use Only



Customer: _____ Drg. Date: _____

Quoted Lead Times Begin Upon Receipt of signed Approved Drawing, Which Must be Returned Before Production Can Begin.

Drawing Approved By: _____