

Stanwade Metal Products, Inc.
 6868 State Route 305 PO Box 10
 Hartford, Ohio 44424
 Phone: 800-826-5243 Fax: 1-330-772-3307
 www.tankstore.com

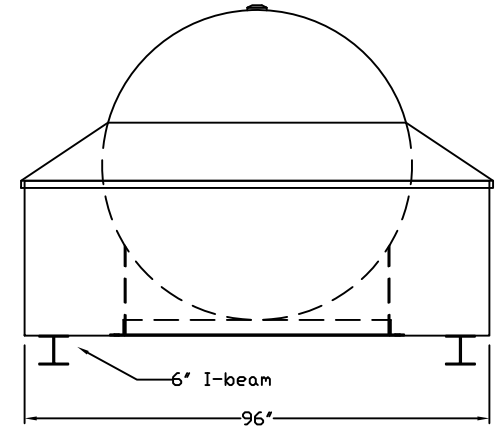
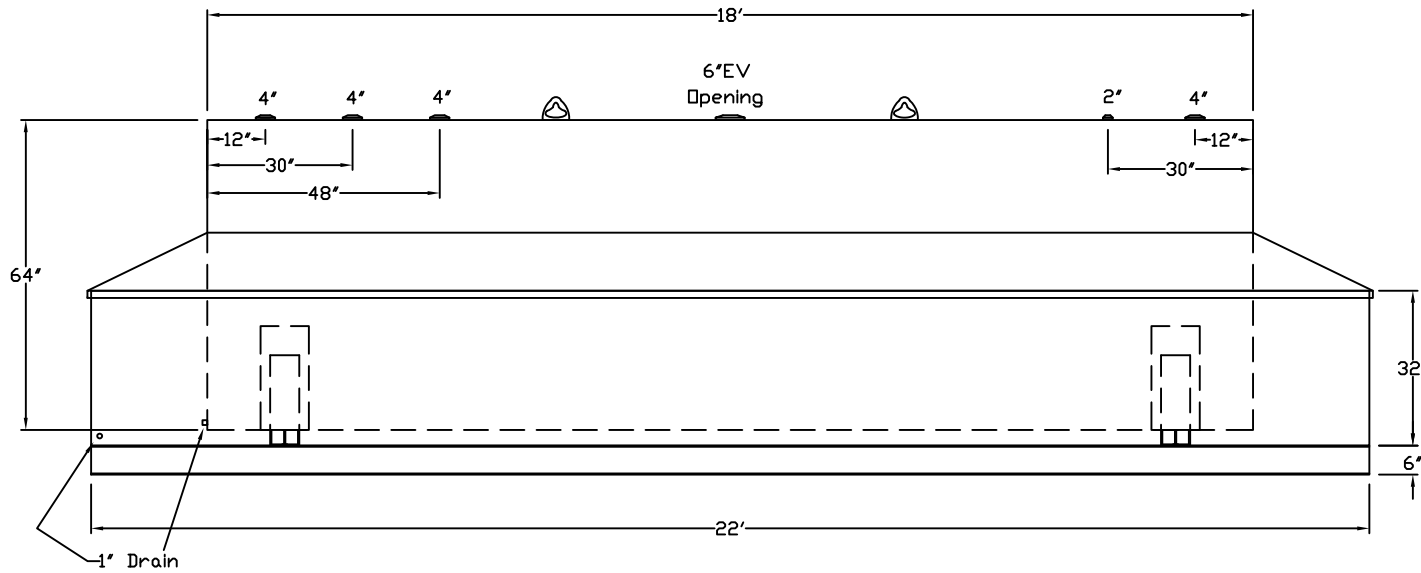
Capacity _____ 3,000 Gallons _____
 Design _____ Dike/Rainshield _____
 Code _____ UL 142 _____
 Test Pres. _____ 5 PSI _____

Heads Primary _____ 7 Ga. _____
 Shell Primary _____ 7 Ga. _____
 Heads Secondary _____ _____
 Shell Secondary _____ _____

Paint Ext. _____ Red Primer _____
 Paint Int. _____ _____
 Weight Empty _____ 8,725 lbs. _____
 Rev.# _____ Date: _____

Tank For Stationary Use Only

Dike is 1/4" construction
 Dike Capacity: 3500 Gallons



Customer: _____ Drg. Date: _____

Quoted Lead Times Begin Upon Receipt of signed Approved Drawing, Which Must be Returned Before Production Can Begin.

Drawing Approved By: _____