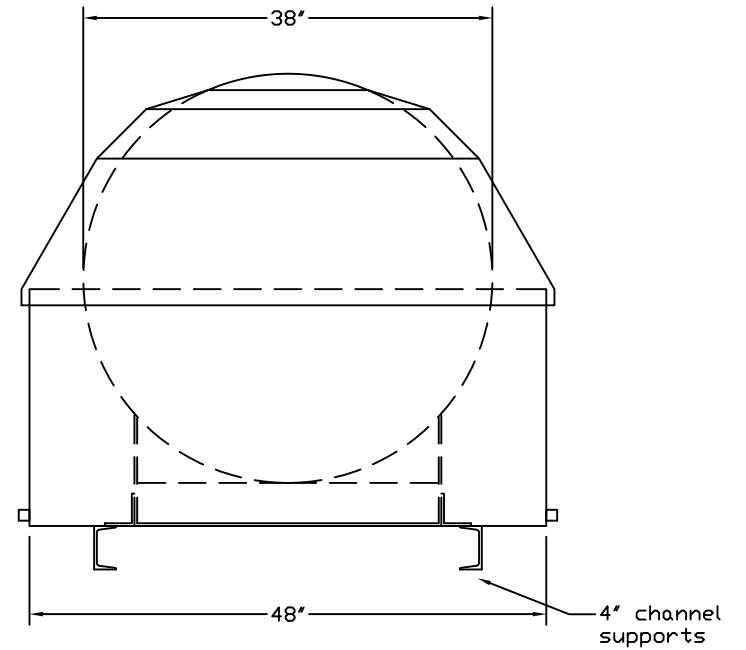
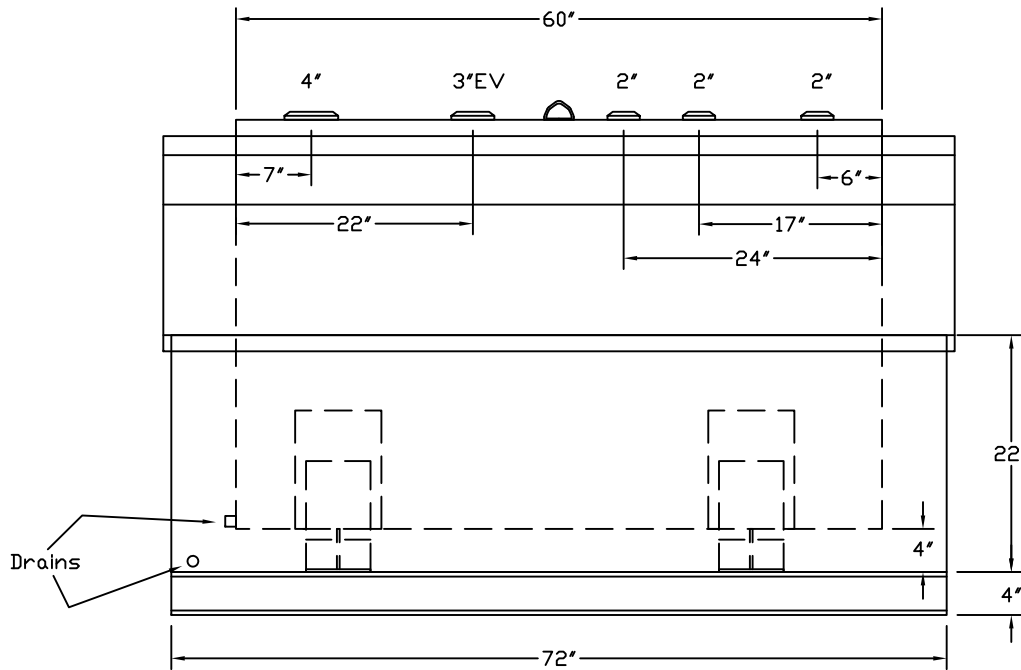


Stanwade Metal Products, Inc.
 6868 State Route 305 PO Box 10
 Hartford, Ohio 44424
 Phone: 800-826-5243 Fax: 1-330-772-3307
 www.tankstore.com

Tank for stationary use only

Capacity 300 Gallons Heads Primary 12 Gauge Paint Ext. Red Primer
 Design Dike/Rainshield Shell Primary 12 Gauge Paint Int. _____
 Code UL 142 Heads Secondary _____ Weight Empty 1,025 lbs.
 Test Pres. 5 PSI Shell Secondary _____ Rev.# _____ Date: _____

Dike/Rainshield: 10 Gauge
 Dike Capacity: 330 Gallons



Customer: _____ Drg. Date: _____

Quoted Lead Times Begin Upon Receipt of signed Approved Drawing, Which Must be Returned Before Production Can Begin.

Drawing Approved By: _____