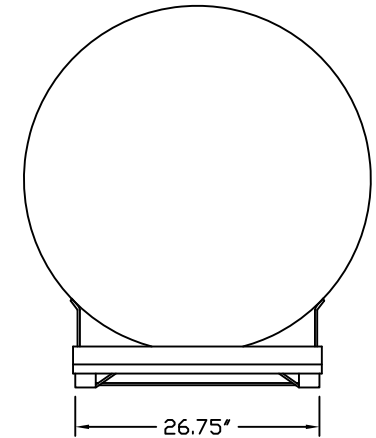
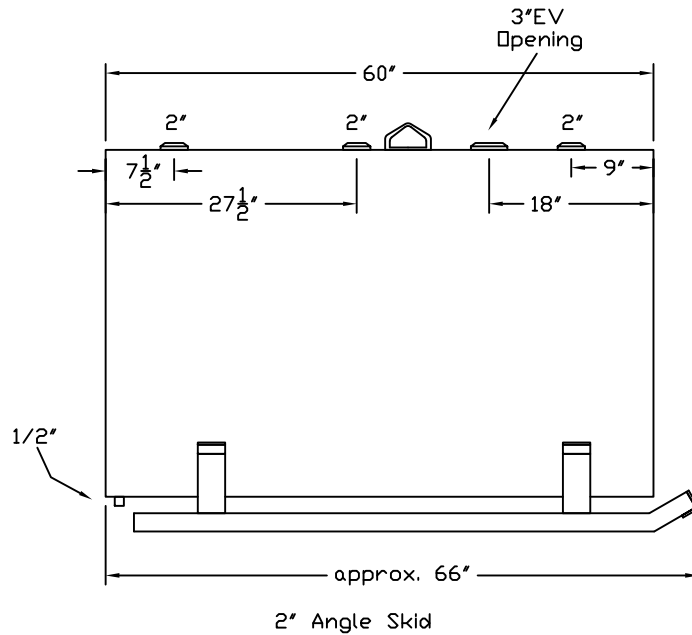
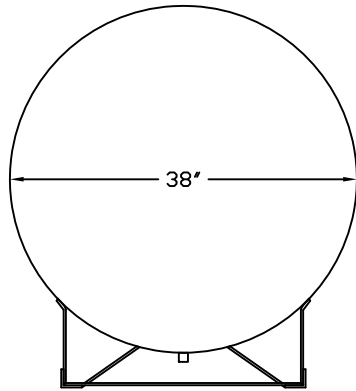


Stanwade Metal Products, Inc.
 6868 State Route 305 PO Box 10
 Hartford, Ohio 44424
 Phone: 800-826-5243 Fax: 1-330-772-3307
 www.tankstore.com

Capacity _____ 300 Gallons _____ Heads Primary _____ 10 Gauge _____
 Design _____ Singlewall Skid _____ Shell Primary _____ 12 Gauge _____
 Code _____ UL 142 _____ Heads Secondary _____ _____
 Test Pres. _____ 5 PSI _____ Shell Secondary _____ _____

Paint Ext. _____ Green Enamel _____
 Paint Int. _____ _____
 Weight Empty _____ 400 lbs. _____
 Rev.# _____ Date: _____

Tank For Stationary Use Only



Customer: _____ Drg. Date: _____

Quoted Lead Times Begin Upon Receipt of signed Approved Drawing, Which Must be Returned Before Production Can Begin.

Drawing Approved By: _____