

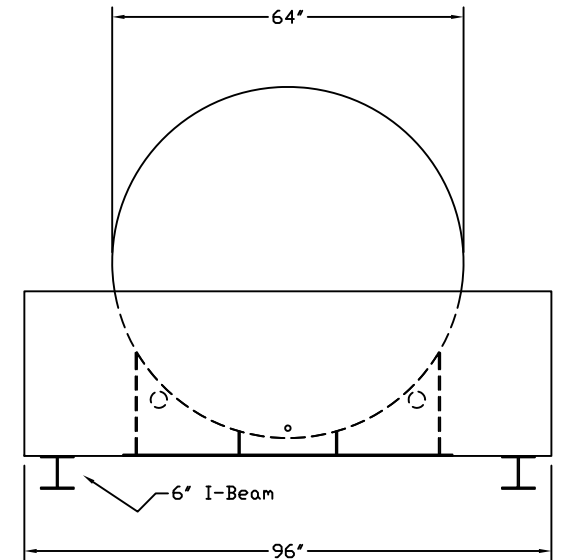
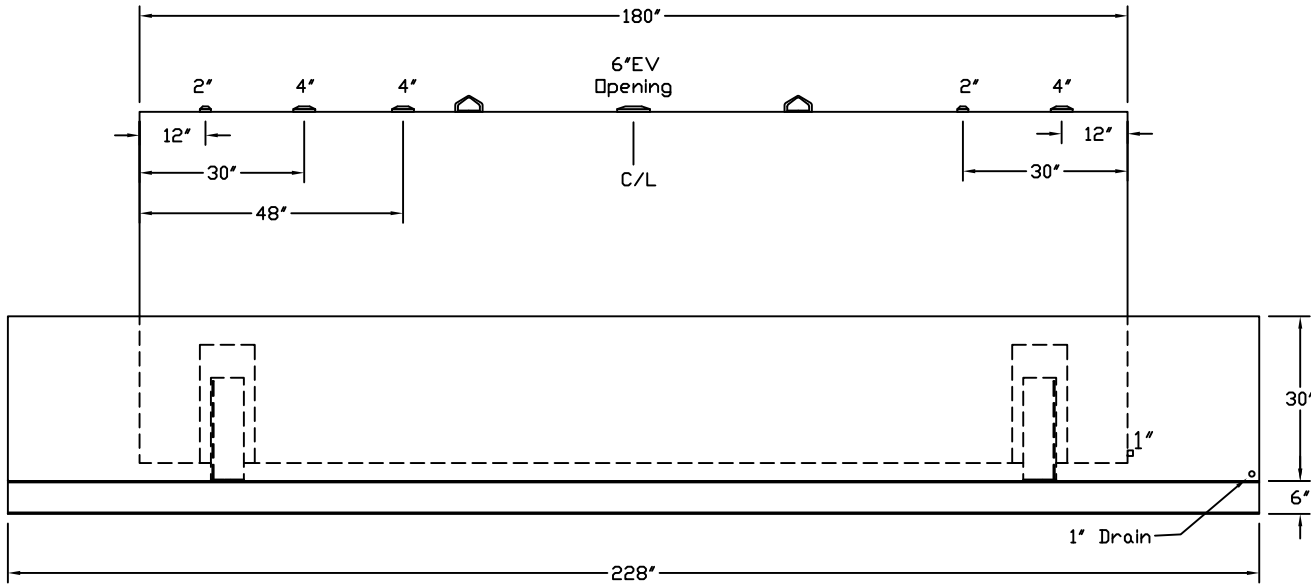
Stanwade Metal Products, Inc.  
 6868 State Route 305 PO Box 10  
 Hartford, Ohio 44424  
 Phone: 800-826-5243 Fax: 1-330-772-3307  
 www.tankstore.com

Tank is for stationary use only

Capacity \_\_\_\_\_ 2,500 Gallons \_\_\_\_\_ Heads Primary \_\_\_\_\_ 1/4" \_\_\_\_\_  
 Design \_\_\_\_\_ Singlewall AG \_\_\_\_\_ Shell Primary \_\_\_\_\_ 1/4" \_\_\_\_\_  
 Code \_\_\_\_\_ UL 142 \_\_\_\_\_ Heads Secondary \_\_\_\_\_ \_\_\_\_\_  
 Test Pres. \_\_\_\_\_ 5 PSI \_\_\_\_\_ Shell Secondary \_\_\_\_\_ \_\_\_\_\_

Paint Ext. \_\_\_\_\_ Red Primer \_\_\_\_\_  
 Paint Int. \_\_\_\_\_ \_\_\_\_\_  
 Weight Empty \_\_\_\_\_ 6,350 lbs. \_\_\_\_\_  
 Rev.# \_\_\_\_\_ Date: \_\_\_\_\_

Dike is 1/4" construction  
 Dike Capacity: 2,800 Gallons



Customer: \_\_\_\_\_ Drg. Date: \_\_\_\_\_

Quoted Lead Times Begin Upon Receipt of signed Approved Drawing, Which Must be Returned Before Production Can Begin.

Drawing Approved By: \_\_\_\_\_