

Stanwade Metal Products, Inc.  
 6868 State Route 305 PO Box 10  
 Hartford, Ohio 44424  
 Phone: 800-826-5243 Fax: 1-330-772-3307  
 www.tankstore.com

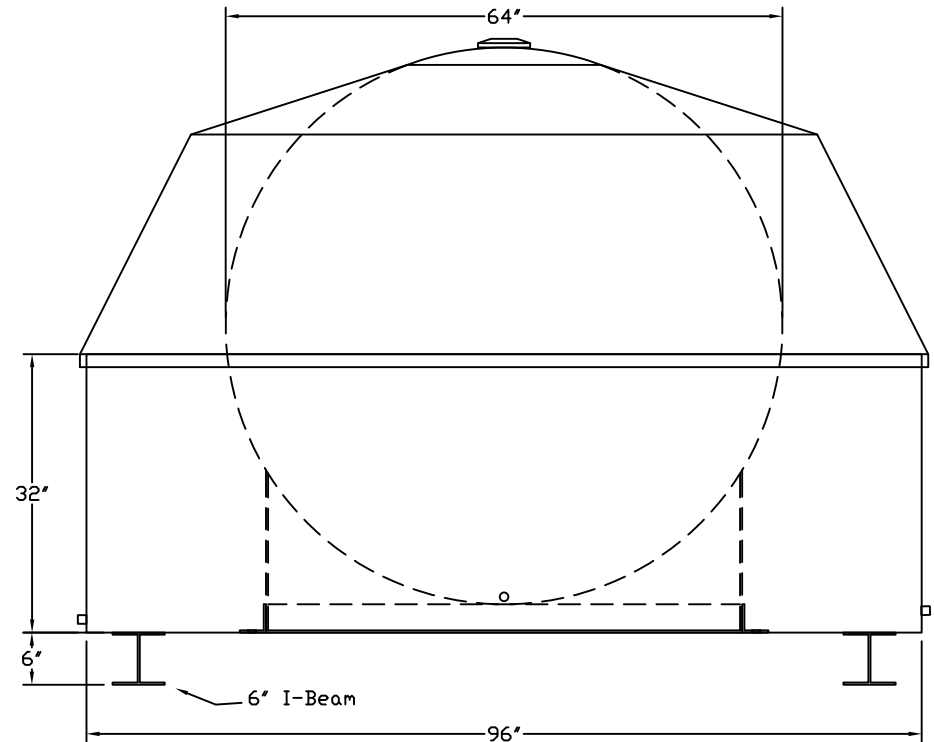
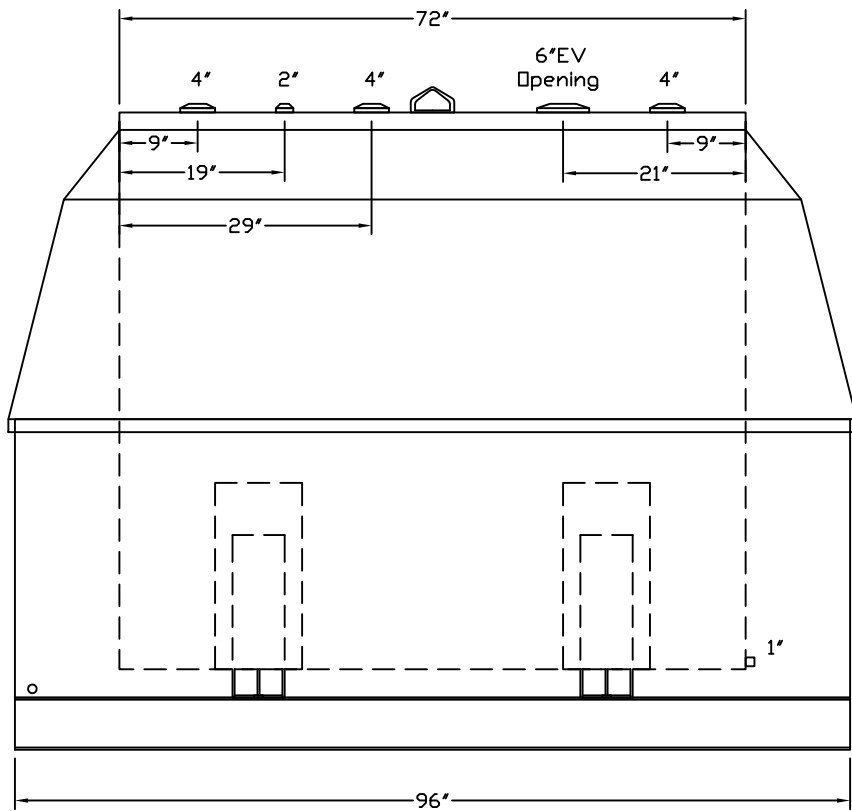
Tank for stationary use only

Capacity 1,000 Gallons  
 Design Dike/Rainshield  
 Code UL 142  
 Test Pres. 5 PSI

Heads Primary 7 Gauge  
 Shell Primary 7 Gauge  
 Heads Secondary  
 Shell Secondary

Paint Ext. Red Primer  
 Paint Int.  
 Weight Empty 3,505 lbs.  
 Rev.# Date:

Dike Sides/Rainshield: 7 Gauge  
 Dike Bottom: 1/4"  
 Dike Capacity: 1275 Gallons



Customer: \_\_\_\_\_ Drg. Date: \_\_\_\_\_

Drawing Approved By: \_\_\_\_\_

Quoted Lead Times Begin Upon Receipt of signed Approved Drawing, Which Must be Returned Before Production Can Begin.