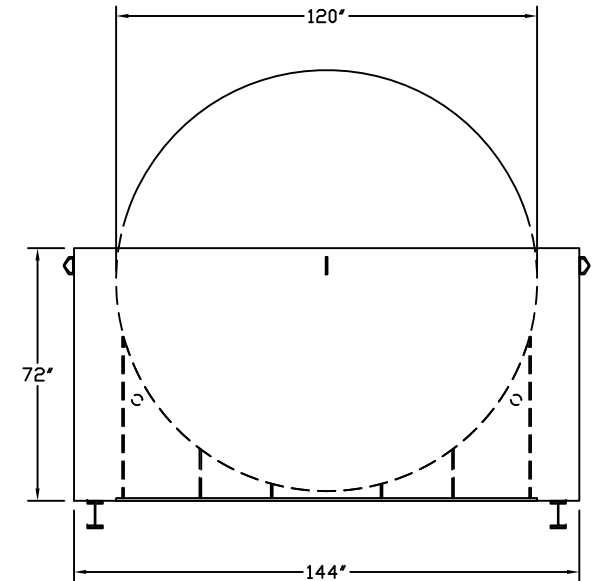
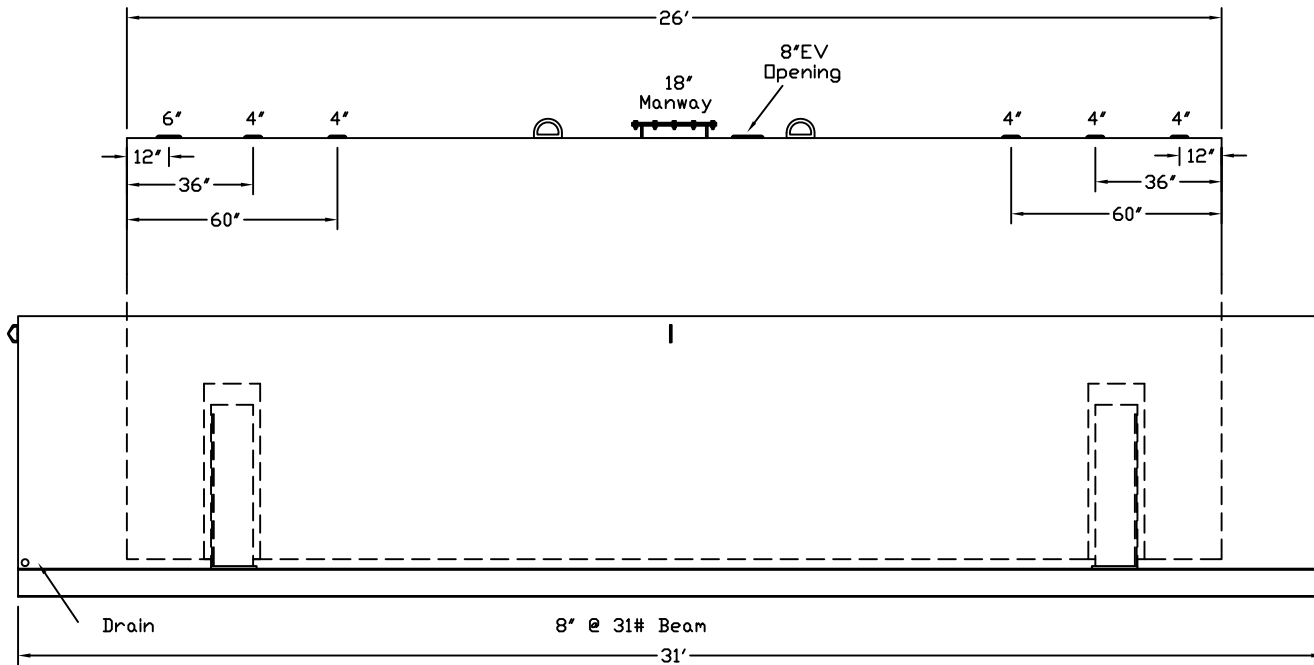


Stanwade Metal Products, Inc.
 6868 State Route 305 PO Box 10
 Hartford, Ohio 44424
 Phone: 800-826-5243 Fax: 1-330-772-3307
 www.tankstore.com

Tank For Stationary Use Only

Capacity _____ 15,000 Gallons _____ Heads Primary _____ 1/4" _____
 Design _____ Singlewall Dike Tank _____ Shell Primary _____ 1/4" _____
 Code _____ UL 142 _____ Heads Secondary _____ _____
 Test Pres. _____ 5 PSI _____ Shell Secondary _____ _____
 Paint Ext. _____ Red Primer _____
 Paint Int. _____ _____
 Weight Empty _____ 26,750 lbs. _____
 Rev.# _____ Date: _____

Dike is 1/4" construction
 Dike Capacity: 16,500 gallons



Customer: _____ Drg. Date: _____

Quoted Lead Times Begin Upon Receipt of signed Approved
 Drawing, Which Must be Returned Before Production Can Begin.

Drawing Approved By:
