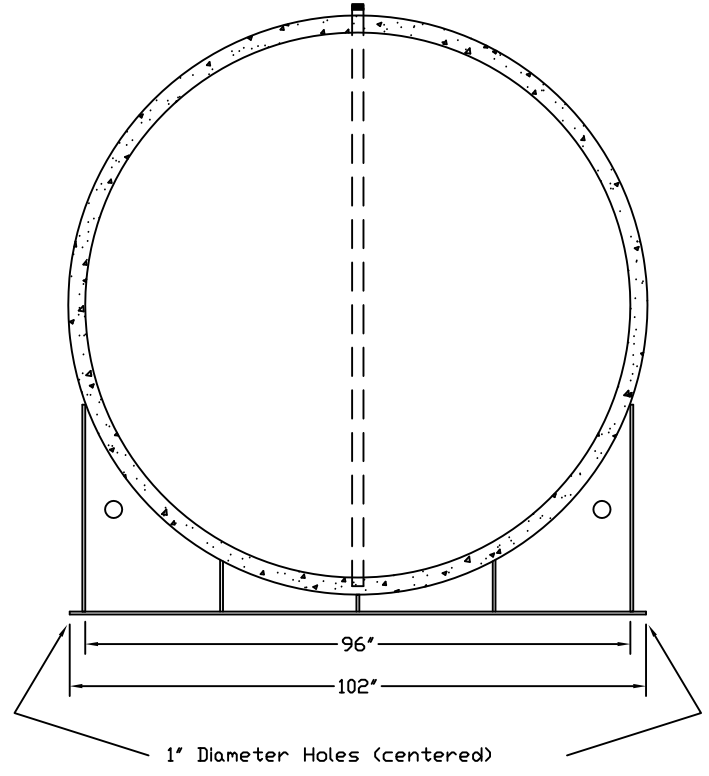
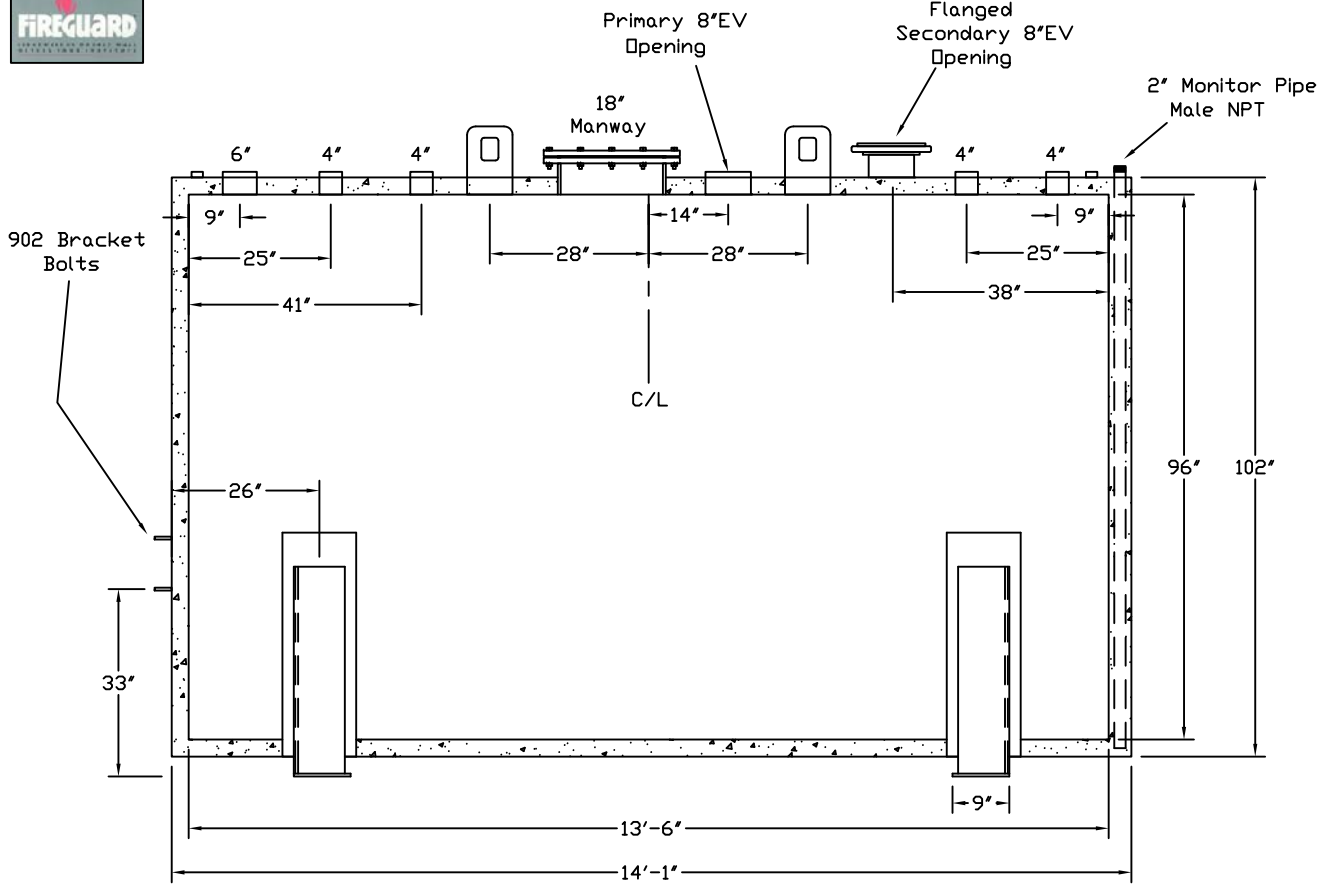


Stanwade Metal Products, Inc.
 6868 State Route 305 PO Box 10
 Hartford, Ohio 44424
 Phone: 800-826-5243 Fax: 1-330-772-3307
 www.tankstore.com

Capacity ----- 5,000 Gallons ----- Heads Primary ----- 1/4" ----- Paint Ext. ----- White Urethane -----
 Design ----- Double Wall AG ----- Shell Primary ----- 1/4" ----- Paint Int. ----- -----
 Code ----- UL 2085 Fireguard ----- Heads Secondary ----- 1/4" ----- Weight Empty ----- 17,050 lbs. -----
 Test Pres. ----- 5 PSI ----- Shell Secondary ----- 1/4" ----- Rev.# ----- Date: -----

Tank For Stationary Use Only



Customer: ----- Drg. Date: -----

Quoted Lead Times Begin Upon Receipt of signed Approved Drawing, Which Must be Returned Before Production Can Begin.

Drawing Approved By: -----