

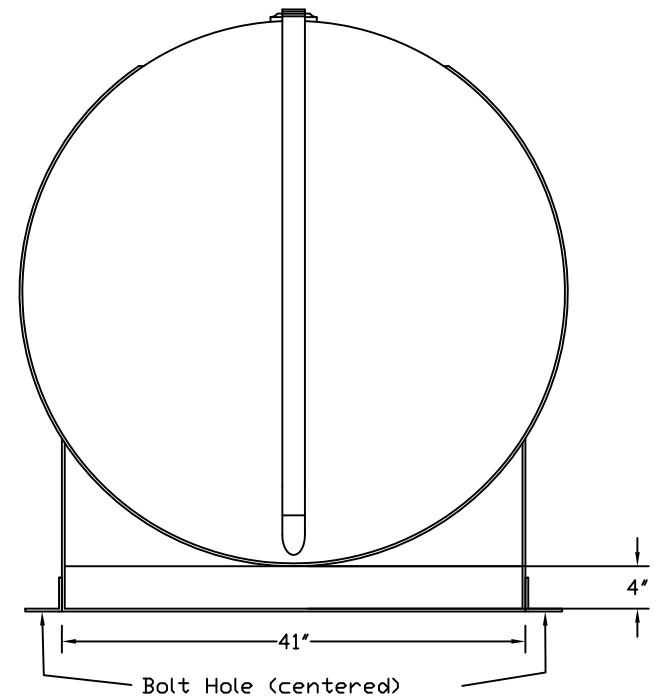
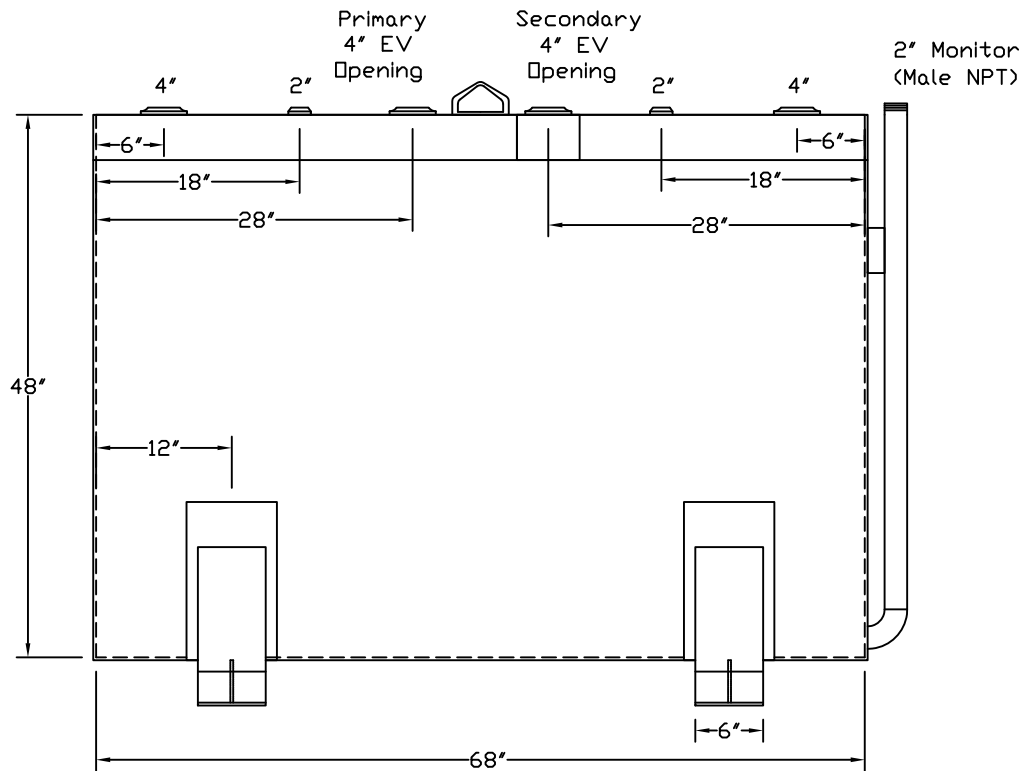
Stanwade Metal Products, Inc.
 6868 State Route 305 PO Box 10
 Hartford, Ohio 44424
 Phone: 800-826-5243 Fax: 1-330-772-3307
 www.tankstore.com

Capacity ----- 520 Gallons
 Design ----- Doublewall
 Code ----- UL 142 Flameshield
 Test Pres. ----- 5 PSI

Heads Primary ----- 10 Ga.
 Shell Primary ----- 12 Ga.
 Heads Secondary ----- 12 Ga.
 Shell Secondary ----- 12 Ga.

Paint Ext. ----- White Urethane
 Paint Int. -----
 Weight Empty ----- 1,100 lbs.
 Rev.# -----
 Date: -----

Tank for Stationary Use Only



Customer: ----- Drg. Date: -----

Drawing Approved By:

Quoted Lead Times Begin Upon Receipt of signed Approved Drawing, Which Must be Returned Before Production Can Begin.