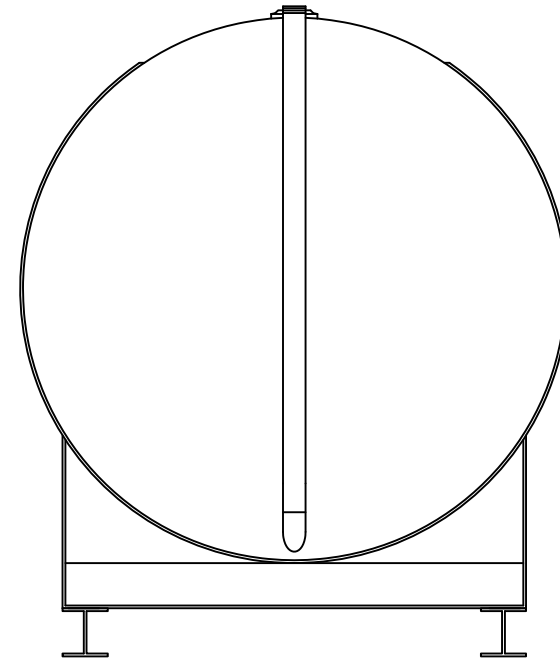
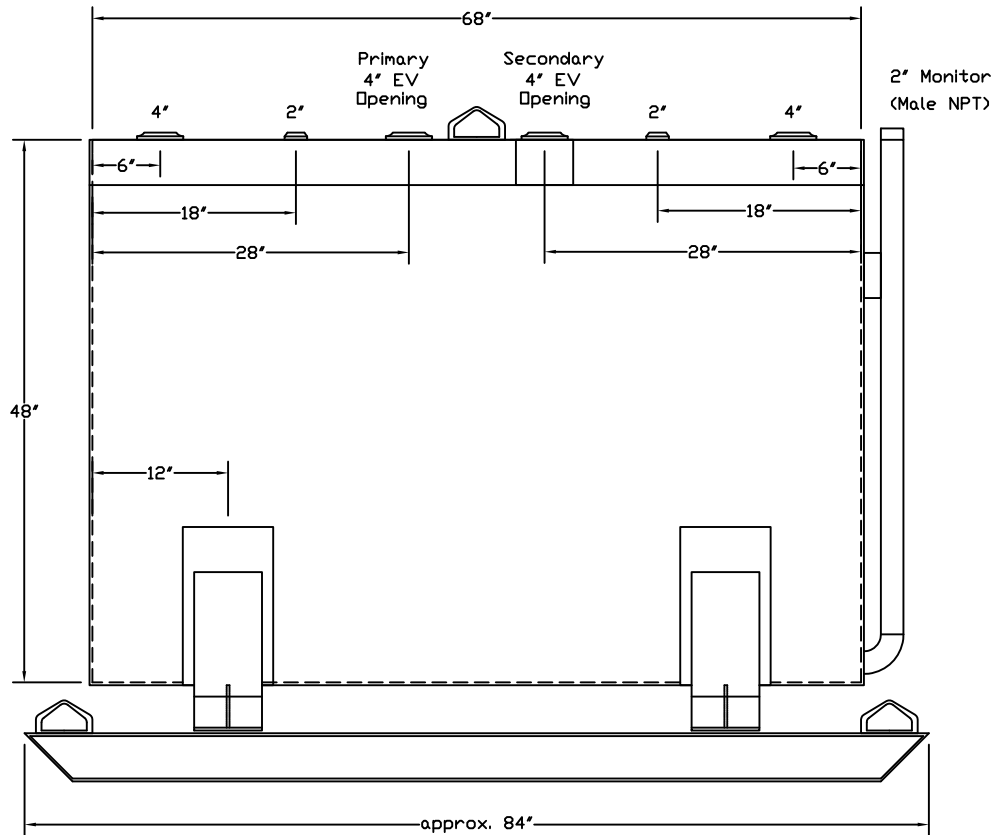


Stanwade Metal Products, Inc.
 6868 State Route 305 PO Box 10
 Hartford, Ohio 44424
 Phone: 800-826-5243 Fax: 1-330-772-3307
 www.tankstore.com

Capacity ----- 520 Gallons ----- Heads Primary ----- 10 Ga. -----
 Design ----- Doublewall Beamskid ----- Shell Primary ----- 12 Ga. -----
 Code ----- UL 142 Flameshield ----- Heads Secondary ----- 12 Ga. -----
 Test Pres. ----- 5 PSI ----- Shell Secondary ----- 12 Ga. -----

Paint Ext. ----- White Urethane -----
 Paint Int. ----- -----
 Weight Empty ----- 1,350 lbs. -----
 Rev.# ----- Date: -----

Tank for Stationary Use Only



4' @ 13 lbs. I-Beam

Customer: ----- Drg. Date: -----

Drawing Approved By: -----

Quoted Lead Times Begin Upon Receipt of signed Approved Drawing, Which Must be Returned Before Production Can Begin.