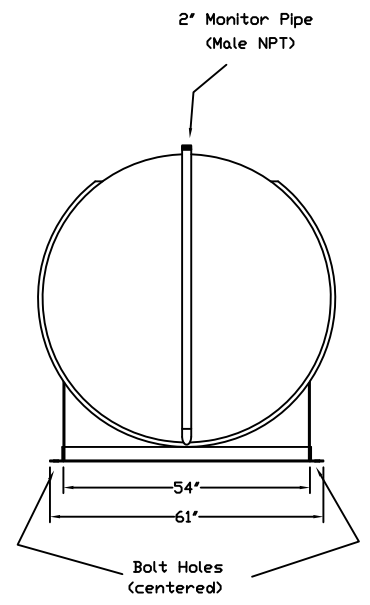
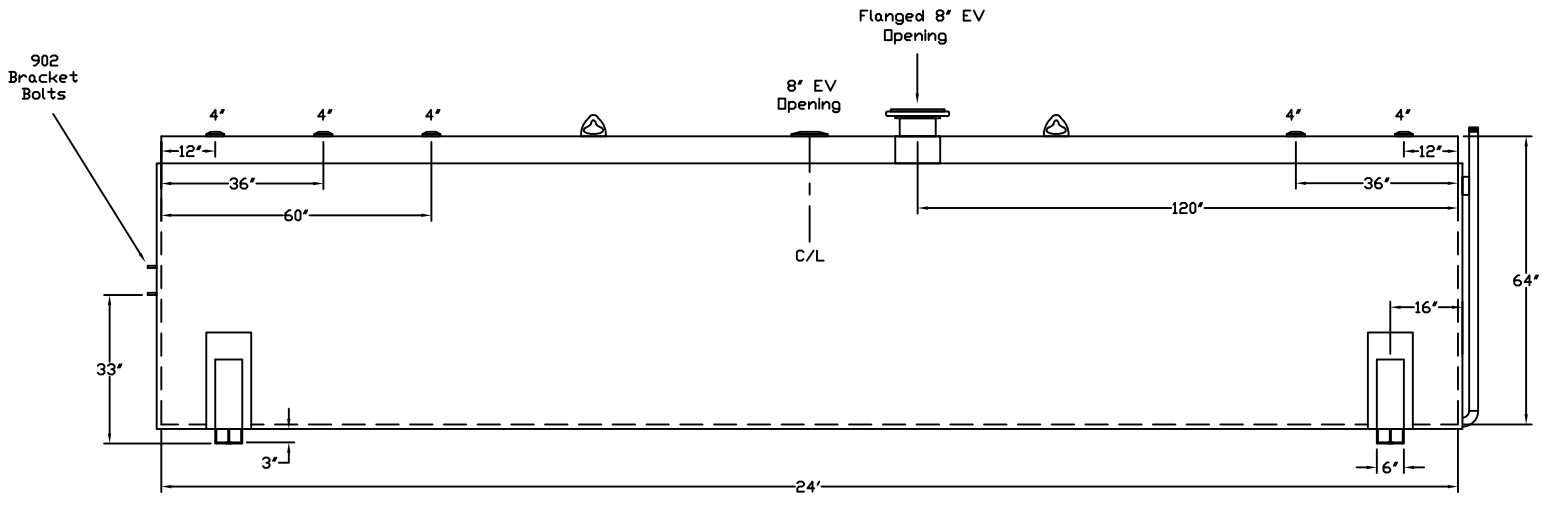


Stanwade Metal Products, Inc.
 6868 State Route 305 PO Box 10
 Hartford, Ohio 44424
 Phone: 800-826-5243 Fax: 1-330-772-3307
 www.tankstore.com

Tank For Stationary Use Only

Capacity _____ 4,000 Gallons _____ Heads Primary _____ 7 Ga. _____ Paint Ext. _____ Red Primer _____
 Design _____ Double Wall AG _____ Shell Primary _____ 7 Ga. _____ Paint Int. _____ _____
 Code _____ UL 142 _____ Heads Secondary _____ 7 Ga. _____ Weight Empty _____ 6,550 lbs. _____
 Test Pres. _____ 5 PSI _____ Shell Secondary _____ 10 Ga. _____ Rev.# _____ Date: _____



Customer: _____ Drg. Date: _____

Quoted Lead Times Begin Upon Receipt of signed Approved Drawing, Which Must be Returned Before Production Can Begin.

Drawing Approved By: _____