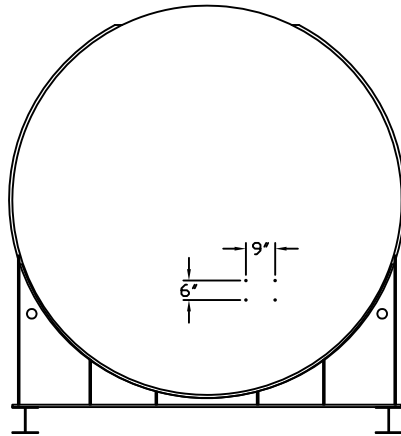


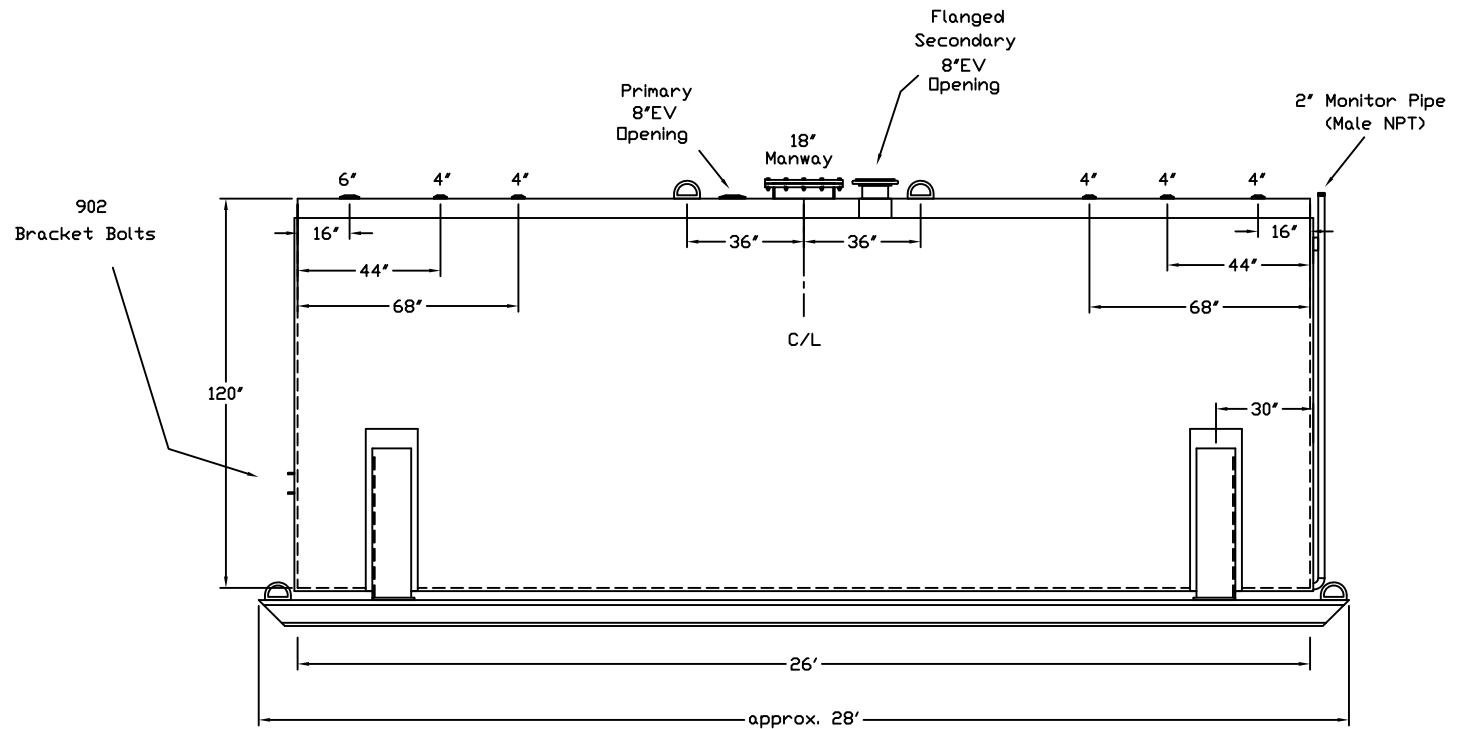
Stanwade Metal Products, Inc.
 6868 State Route 305 PO Box 10
 Hartford, Ohio 44424
 Phone: 800-826-5243 Fax: 1-330-772-3307
 www.tankstore.com

Capacity 15,000 Gallons Heads Primary 1/4" Paint Ext. White Urethane
 Design Doublewall Beamskid Shell Primary 1/4" Paint Int. _____
 Code UL 142 Flameshield Heads Secondary 1/4" Weight Empty 23,200 lbs.
 Test Pres. 5 PSI Shell Secondary 7 Ga. Rev.# _____ Date: _____

Tank For Stationary Use Only



8' @ 31# I-Beam



Customer: _____ Drg. Date: _____

Drawing Approved By: _____

Quoted Lead Times Begin Upon Receipt of signed Approved Drawing, Which Must be Returned Before Production Can Begin.