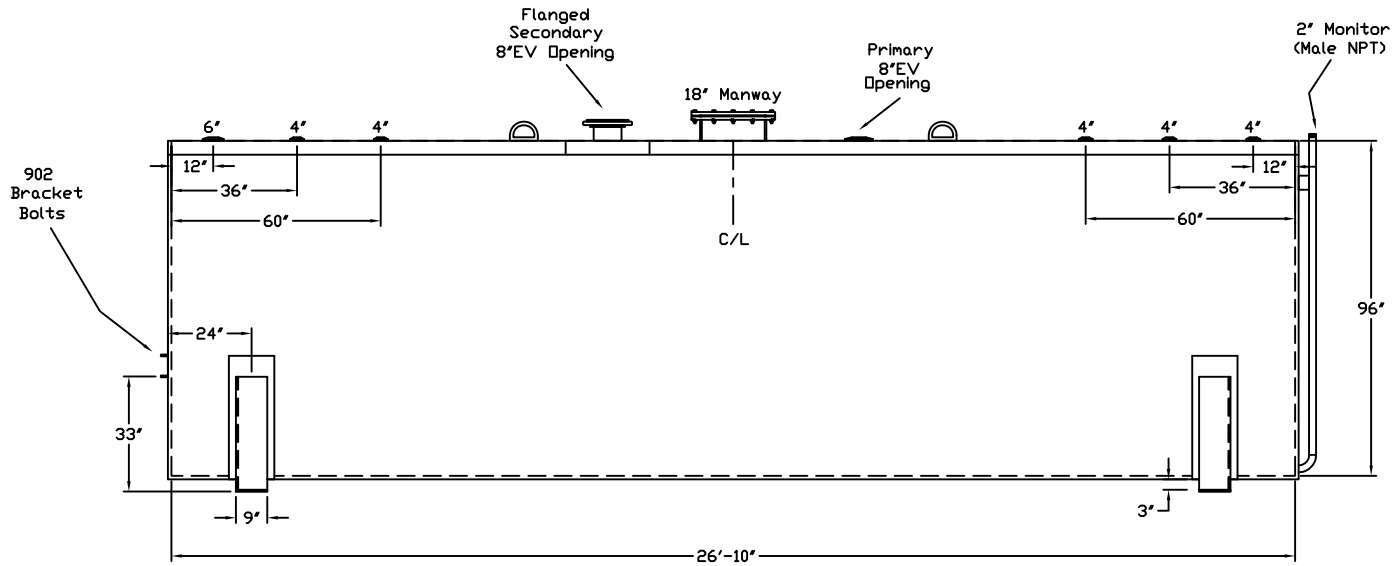
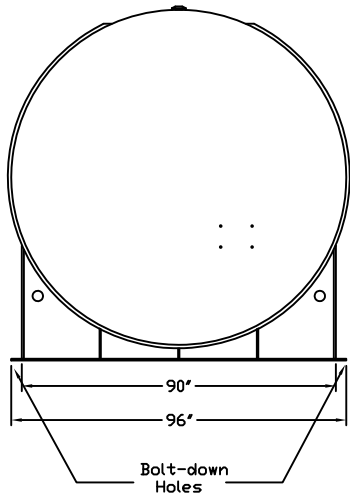


Stanwade Metal Products, Inc.  
 6868 State Route 305 PO Box 10  
 Hartford, Ohio 44424  
 Phone: 800-826-5243 Fax: 1-330-772-3307  
 www.tankstore.com

Tank For Stationary Use Only

Capacity 10,000 Gallons Heads Primary 1/4"  
 Design Doublewall AG Shell Primary 1/4"  
 Code UL 142 Heads Secondary 1/4"  
 Test Pres. 5 PSI Shell Secondary 10 Ga.

Paint Ext. Red Primer  
 Paint Int. \_\_\_\_\_  
 Weight Empty 14,650 lbs.  
 Rev.# \_\_\_\_\_ Date: \_\_\_\_\_



Customer: \_\_\_\_\_ Drg. Date: \_\_\_\_\_

Drawing Approved By: \_\_\_\_\_

Quoted Lead Times Begin Upon Receipt of signed Approved Drawing, Which Must be Returned Before Production Can Begin.