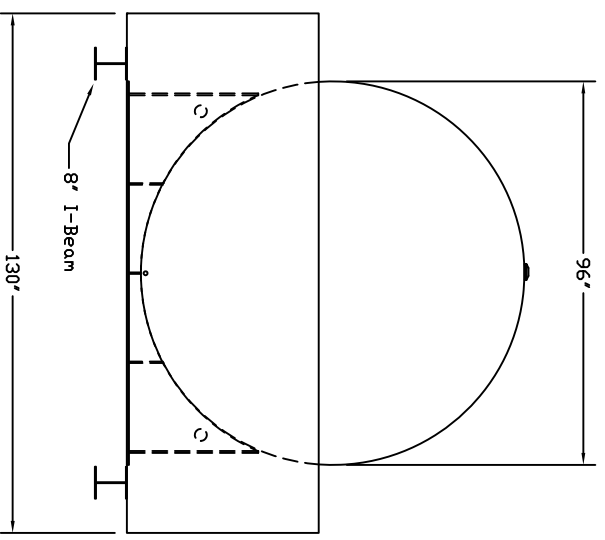
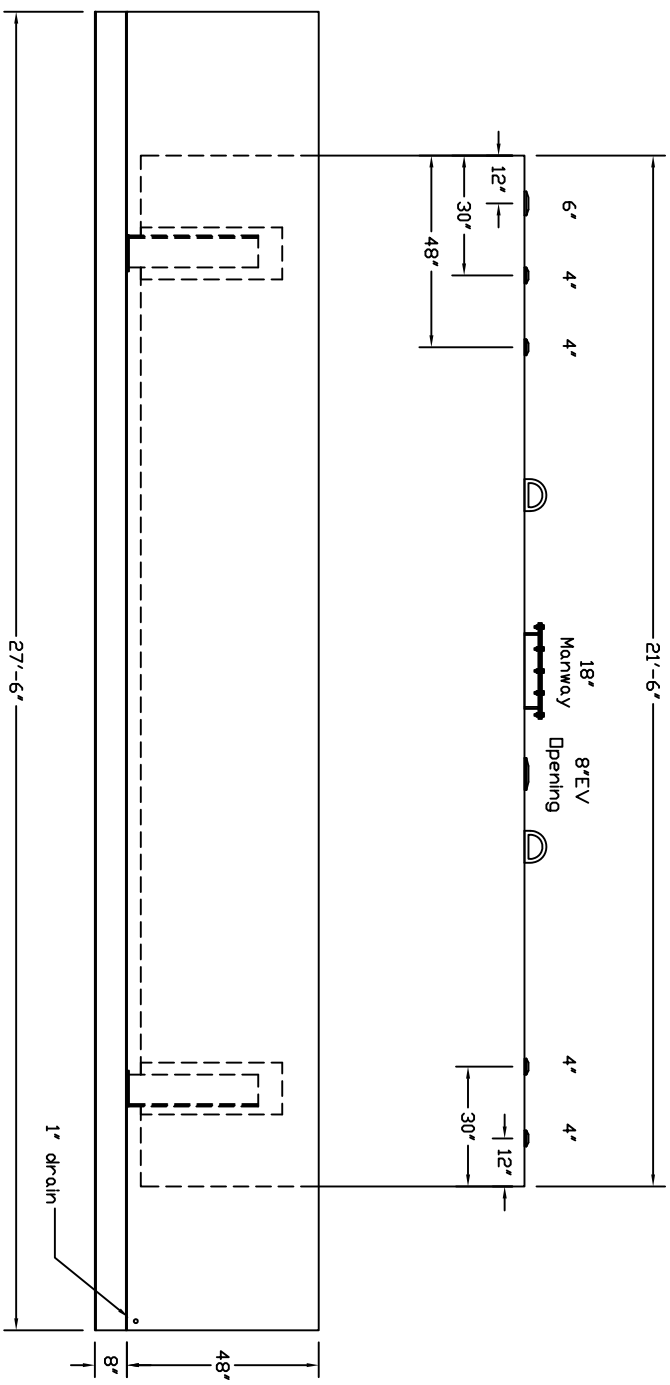


Starwade Metal Products, Inc.
 6868 State Route 305 PD Box 10
 Hartford, Ohio 44424
 Phone: 800-826-5243 Fax: 1-330-772-3307
 www.tankstore.com

Tank for stationary use only

Capacity	8,000 Gallons	Heads Primary	1/4"	Paint Ext.	Red Primer
Design	Singlewall Dike Tank	Heads Secondary	1/4"	Paint Int.	
Code	UL 142	Shell Secondary		Weight Empty	18,025 lbs.
Test Pres.	5 PSI			Rev.#	Date:



Dike is 1/4" construction
 Dike Capacity: 8,800 Gallons

Customer: _____

Drq. Date: _____

Drawing Approved By: _____

Quoted Lead Times Begin Upon Receipt of signed Approved Drawing, Which Must be Returned Before Production Can Begin.