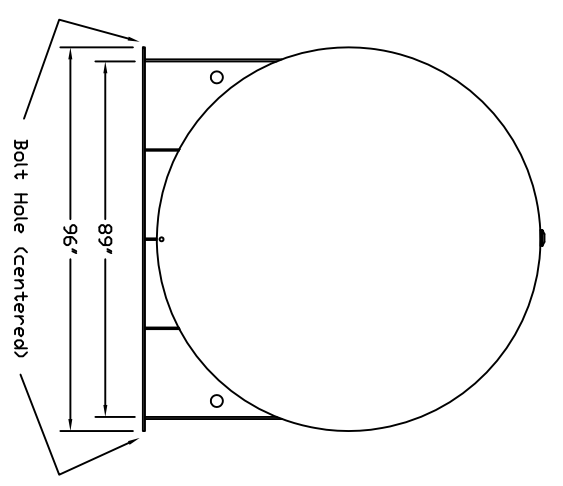
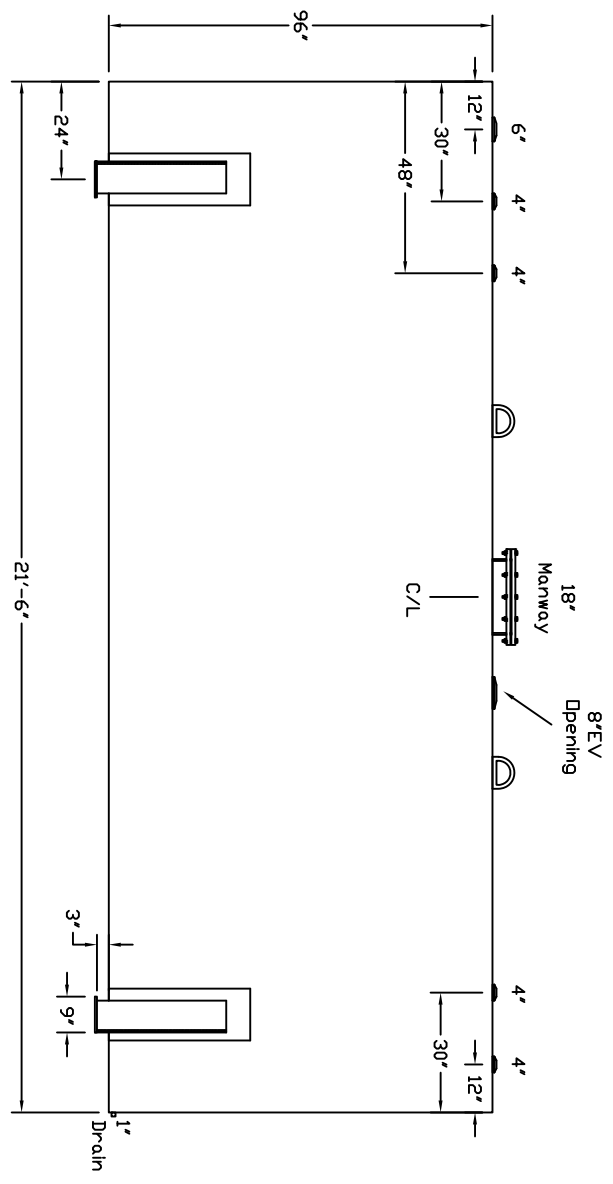


Starwade Metal Products, Inc.
 6868 State Route 305 PD Box 10
 Hartford, Ohio 44424
 Phone: 800-826-5243 Fax: 1-330-772-3307
 www.tankstore.com

Tank For Stationary Use Only

Capacity ----- 8,000 Gallons -----
 Design ----- Singlewall -----
 Code ----- UL 142 -----
 Test Pres. ----- 5 PSI -----
 Heads Primary ----- 1/4" -----
 Heads Secondary ----- 1/4" -----
 Shell Secondary -----
 Paint Ext. ----- Red Primer -----
 Paint Int. -----
 Weight Empty ----- 8,350 lbs. -----
 Rev.# ----- Date: -----



Customer: -----

Dwg. Date: -----

Drawing Approved By: -----

Quoted Lead Times Begin Upon Receipt of signed Approved Drawing, Which Must be Returned Before Production Can Begin.