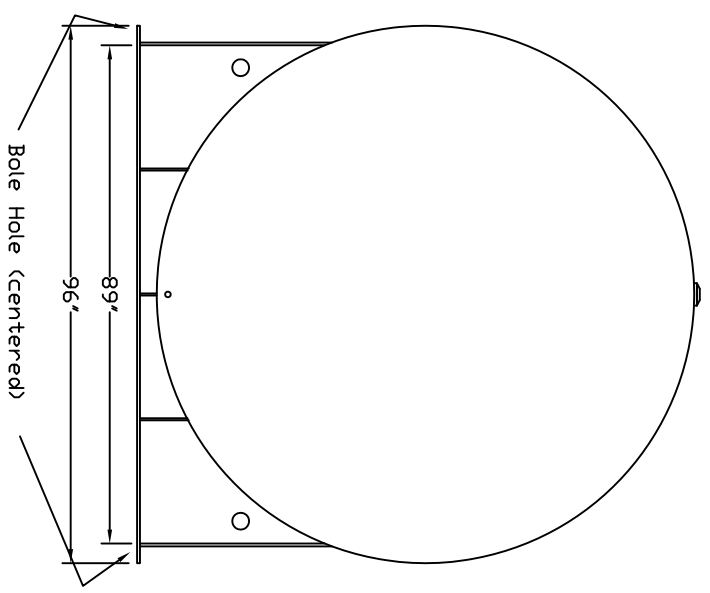
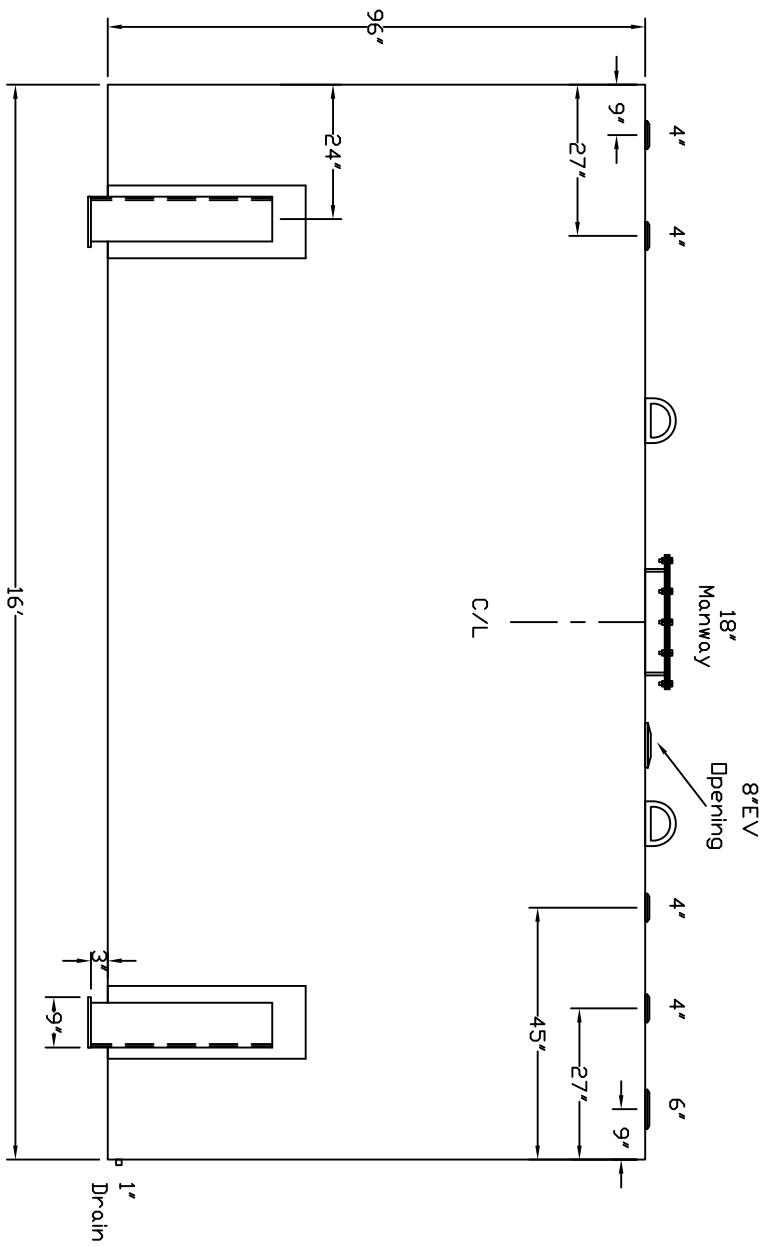


Starwade Metal Products, Inc.  
 6868 State Route 305 PD Box 10  
 Hartford, Ohio 44424  
 Phone: 800-826-5243 Fax: 1-330-772-3307  
 www.tankstore.com

Tank For Stationary Use Only

Capacity	6,000 Gallons	Heads	Primary	1/4"	Paint Ext.	Red Primer
Design	Singlewall	Shell Primary	1/4"	Paint Int.		
Code	UL 142	Heads Secondary		Weight Empty	6,700 lbs.	
Test Pres.	5 PSI	Shell Secondary		Rev.#	Date:	



Customer: \_\_\_\_\_

Drq. Date: \_\_\_\_\_

Drawing Approved By: \_\_\_\_\_

Quoted Lead Times Begin Upon Receipt of signed Approved Drawing, Which Must be Returned Before Production Can Begin.