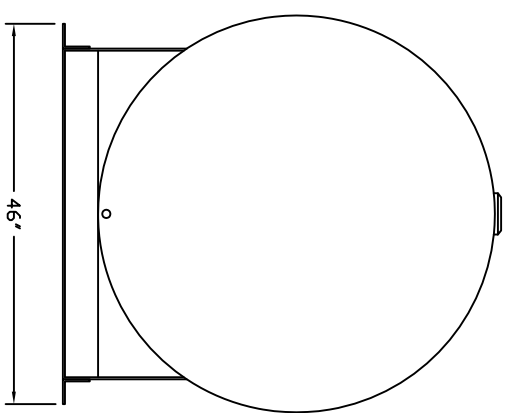
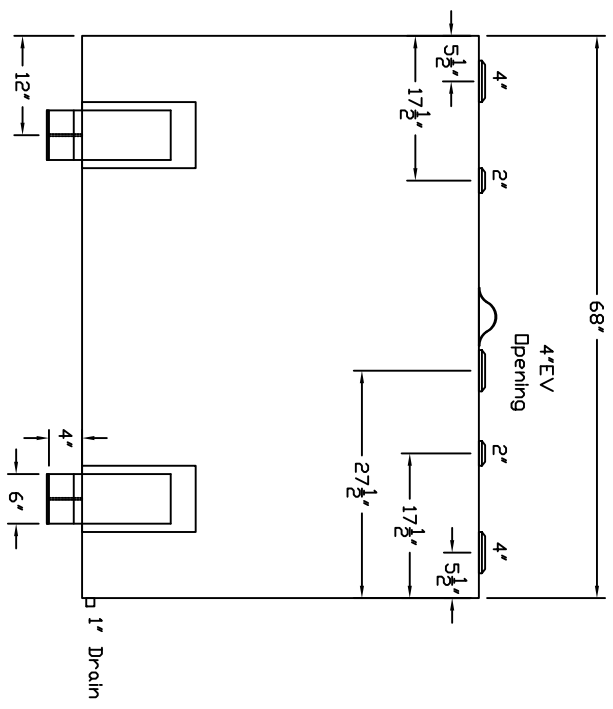
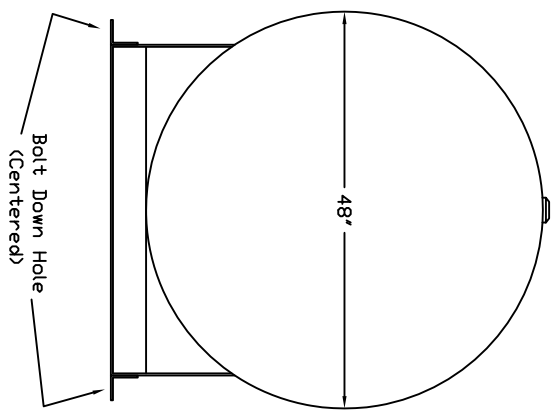


Starnwade Metal Products, Inc.  
 6868 State Route 305 PD Box 10  
 Hartford, Ohio 44424  
 Phone: 800-826-5243 Fax: 1-330-772-3307  
 www.tankstore.com

Tank For Stationary Use Only

Capacity ----- 520 Gallons ----- Heads Primary ----- 12 Gauge ----- Paint Ext. ----- Red Primer -----  
 Design ----- Aboveground Singlewall ----- Shell Primary ----- 12 Gauge ----- Paint Int. -----  
 Code ----- UL 142 ----- Heads Secondary ----- Shell Secondary ----- Weight Empty ----- 700 lbs. -----  
 Test Pres. ----- 5 PSI ----- Rev.# ----- Date: -----



Customer: ----- Drg. Date: -----  
 Quoted Lead Times Begin Upon Receipt of signed Approved  
 Drawing, Which Must be Returned Before Production Can Begin.

Drawing Approved By: -----