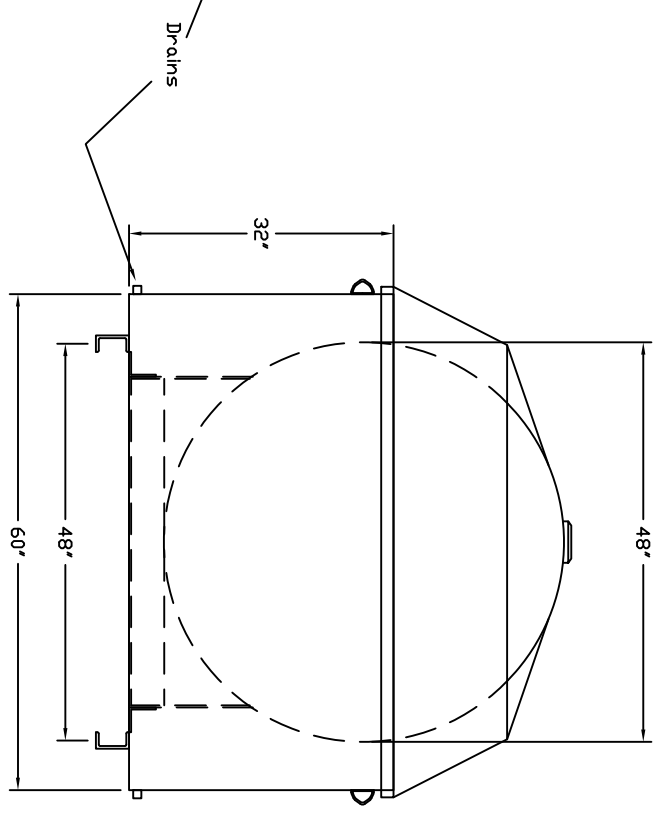
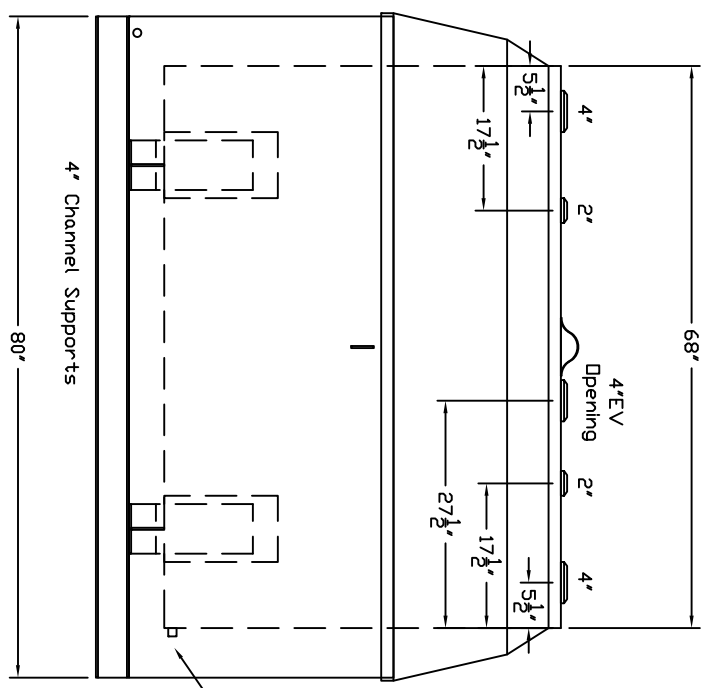


Starnwade Metal Products, Inc.
 6868 State Route 305 PD Box 10
 Hartford, Ohio 44424
 Phone: 800-826-5243 Fax: 1-330-772-3307
 www.tankstore.com

Tank For Stationary Use Only

Capacity	520 Gallons	Heads	Primary 12 Gauge	Paint Ext.	Red Primer
Design	Dike/Rainshield	Shell Primary	12 Gauge	Paint Int.	
Code	UL 142	Heads Secondary		Weight Empty	1,500 lbs.
Test Pres.	5 PSI	Shell Secondary		Rev.#	Date:

Dike/Rainshield: 10 Gauge
 Dike Capacity: 665 Gallons



Customer: _____ Drg. Date: _____ Drawing Approved By: _____

Quoted Lead Times Begin Upon Receipt of signed Approved Drawing, Which Must be Returned Before Production Can Begin.