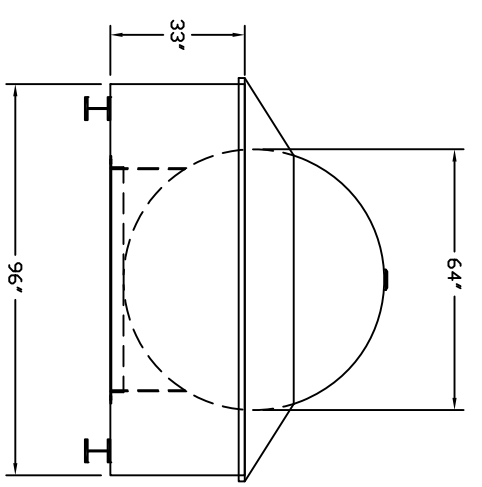
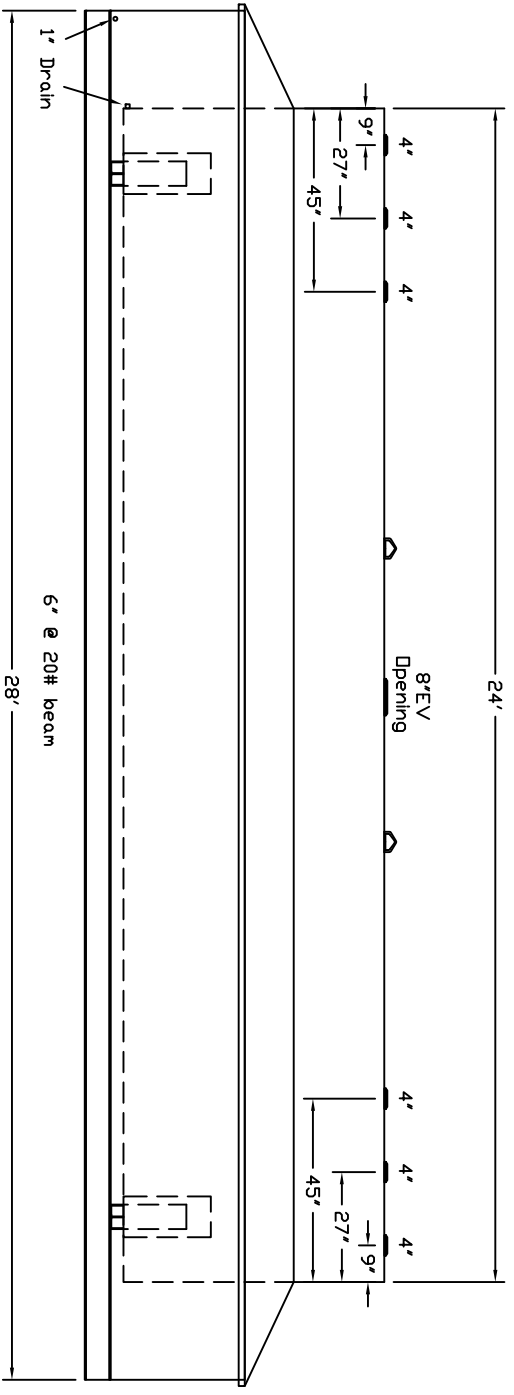


Starwade Metal Products, Inc.
 6868 State Route 305 PD Box 10
 Hartford, Ohio 44424
 Phone: 800-826-5243 Fax: 1-330-772-3307
 www.tankstore.com

Tank For Stationary Use Only

Capacity	4,000 Gallons	Heads	Primary	7 Gauge	Paint Ext.	Red Primer
Design	Dike/Rainshield	Shell Primary	7 Gauge	Paint Int.		
Code	UL 142	Heads Secondary		Weight Empty	11,000 lbs.	
Test Pres.	5 PSI	Shell Secondary		Rev.#		Date:

Dike/Rainshield: 1/4"
 Dike Capacity: 4600 Gallons



Customer: _____ Drg. Date: _____ Drawing Approved By: _____
 Quoted Lead Times Begin Upon Receipt of signed Approved Drawing, Which Must be Returned Before Production Can Begin.