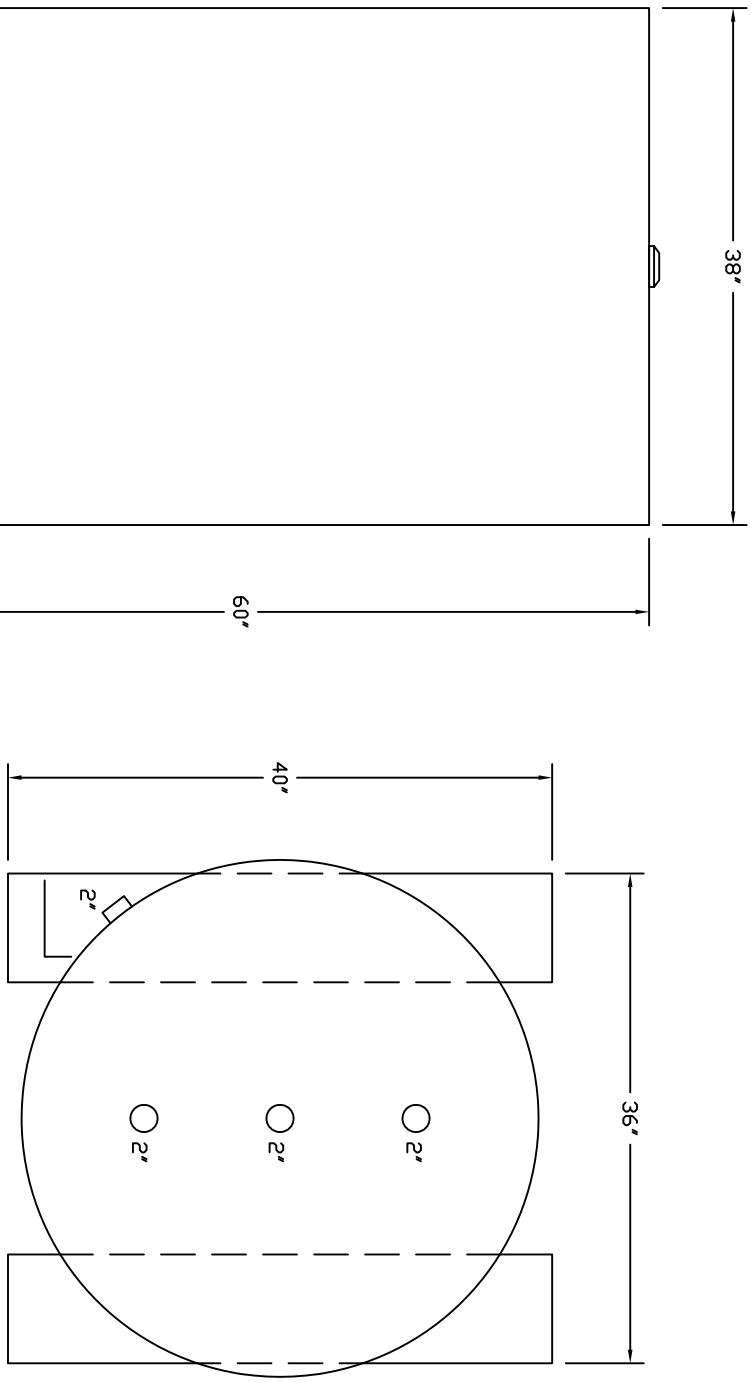


Starwade Metal Products, Inc.  
 6868 State Route 305 PO Box 10  
 Harford, Ohio 44424  
 Phone: 800-826-5243 Fax: 1-330-772-3307  
 www.tankstore.com



Capacity \_\_\_\_\_ 300 Gallons \_\_\_\_\_

Design \_\_\_\_\_ Singlewall Tote \_\_\_\_\_

Code \_\_\_\_\_ None \_\_\_\_\_

Test Pres. \_\_\_\_\_ 2-1/2 PSI \_\_\_\_\_

Heads Primary \_\_\_\_\_ 10 Ga. \_\_\_\_\_

Secondary \_\_\_\_\_

Shell Primary \_\_\_\_\_ 10 Ga. \_\_\_\_\_

Secondary \_\_\_\_\_

Paint Ext. \_\_\_\_\_ Red Primer \_\_\_\_\_

Paint Int. \_\_\_\_\_

Weight Empty \_\_\_\_\_ 500 lbs. \_\_\_\_\_

Drawing # \_\_\_\_\_

Scale \_\_\_\_\_

Spec. Note: \_\_\_\_\_

Tank For Stationary Use Only

Quote# \_\_\_\_\_

Quoted Lead Times Begin Upon Receipt of Signed Approved Drawing, Which Must be Returned Before Production Can Begin

Drawing Approved By: \_\_\_\_\_