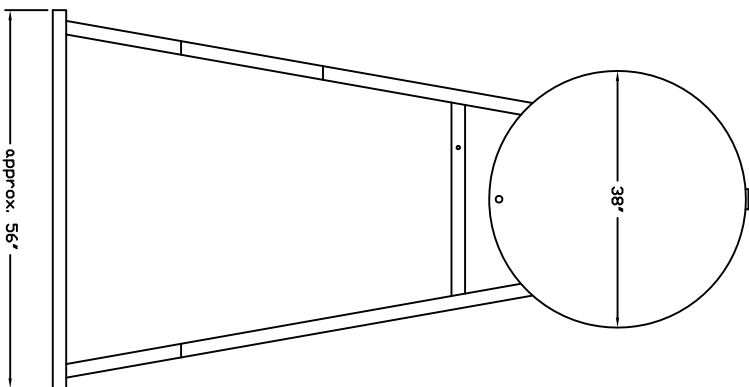
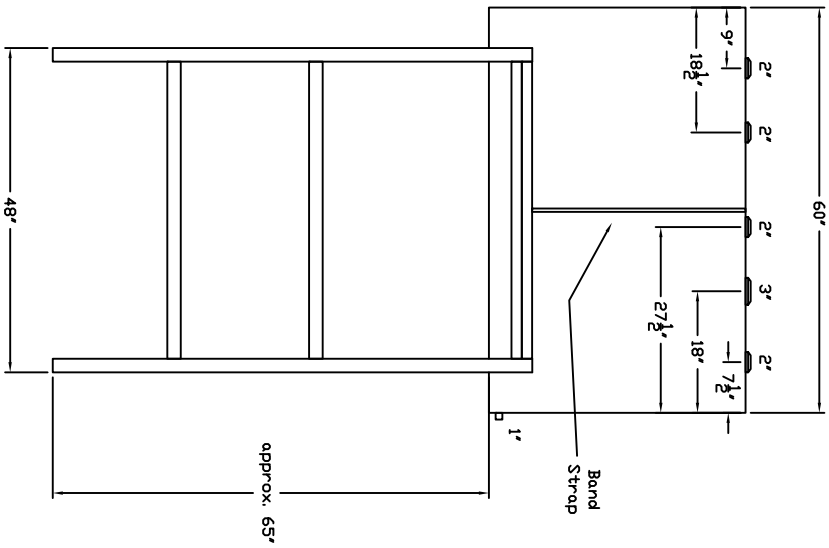


Starwade Metal Products, Inc.
 6868 State Route 305 PD Box 10
 Hartford, Ohio 44424
 Phone: 800-826-5243 Fax: 1-330-772-3307
 www.tankstore.com

Tank For Stationary Use Only

Capacity ----- 300 Gallons
 Design ----- Elevated Singletail
 Code ----- UL 142
 Test Pres. ----- 5 PSI
 Heads Primary ----- 12 Gauge
 Shell Primary ----- 12 Gauge
 Heads Secondary -----
 Shell Secondary -----
 Paint Ext. ----- Green
 Paint Int. -----
 Weight Empty ----- 375 lbs.
 Rev.# -----
 Date: -----



Customer: -----

Drng. Date: -----

Drawing Approved By: -----

Quoted Lead Times Begin Upon Receipt of signed Approved Drawing, Which Must be Returned Before Production Can Begin.