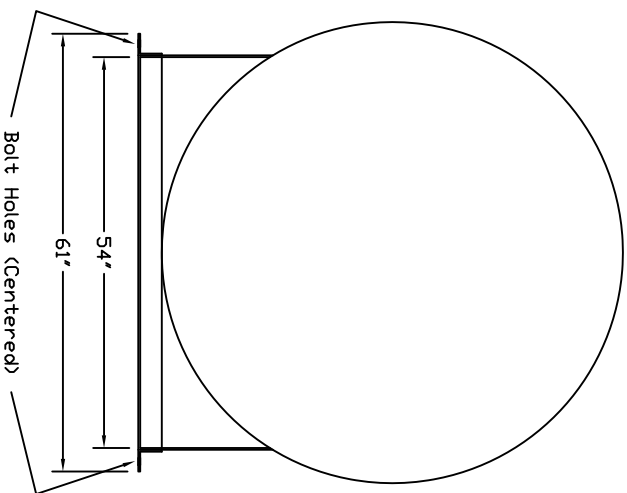
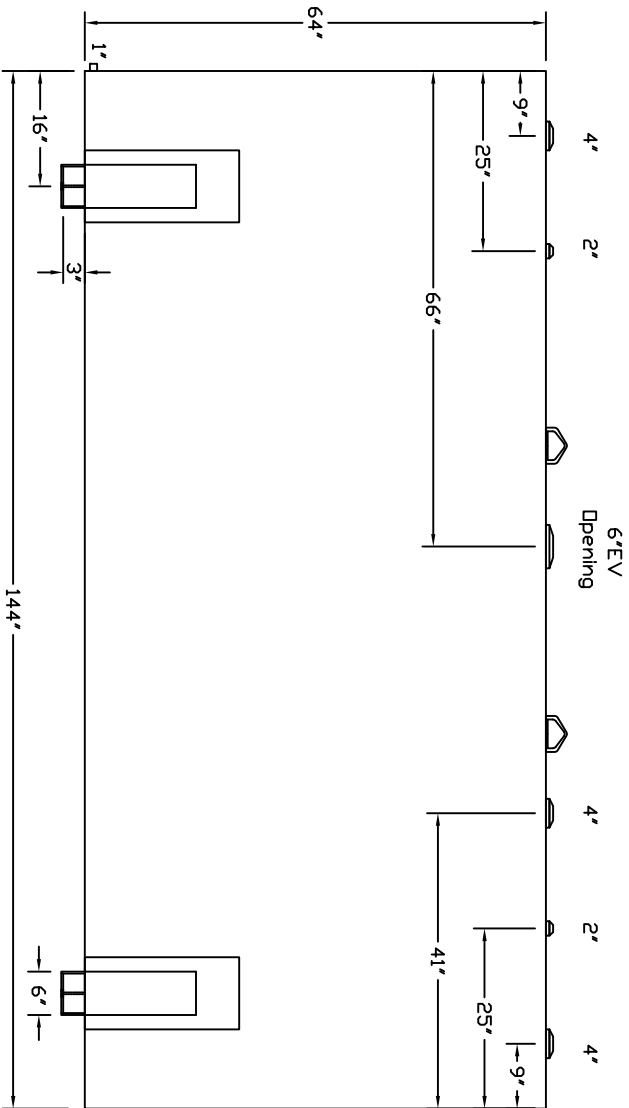


Starwade Metal Products, Inc.  
 6868 State Route 305 PD Box 10  
 Hartford, Ohio 44424  
 Phone: 800-826-5243 Fax: 1-330-772-3307  
 www.tankstore.com

Tank For Stationary Use Only

Capacity	2,000 Gallons	Heads	Primary	7 Gauge	Paint Ext.	Red Primer
Design	Singlewall	Shell Primary		7 Gauge	Paint Int.	
Code	UL 142	Heads Secondary			Weight Empty	2,150 lbs.
Test Pres.	5 PSI	Shell Secondary			Rev.#	Date:



Customer: \_\_\_\_\_

Drg. Date: \_\_\_\_\_

Drawing Approved By: \_\_\_\_\_

Quoted Lead Times Begin Upon Receipt of signed Approved Drawing, Which Must be Returned Before Production Can Begin.