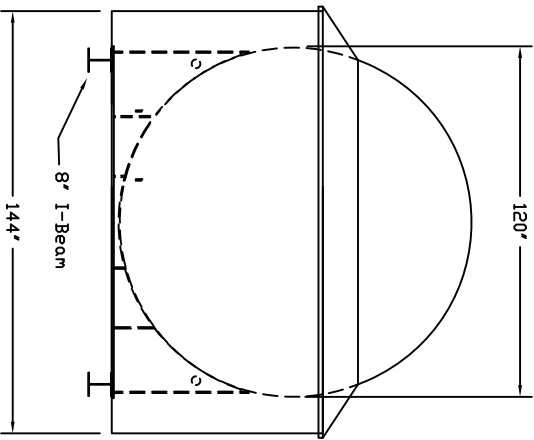


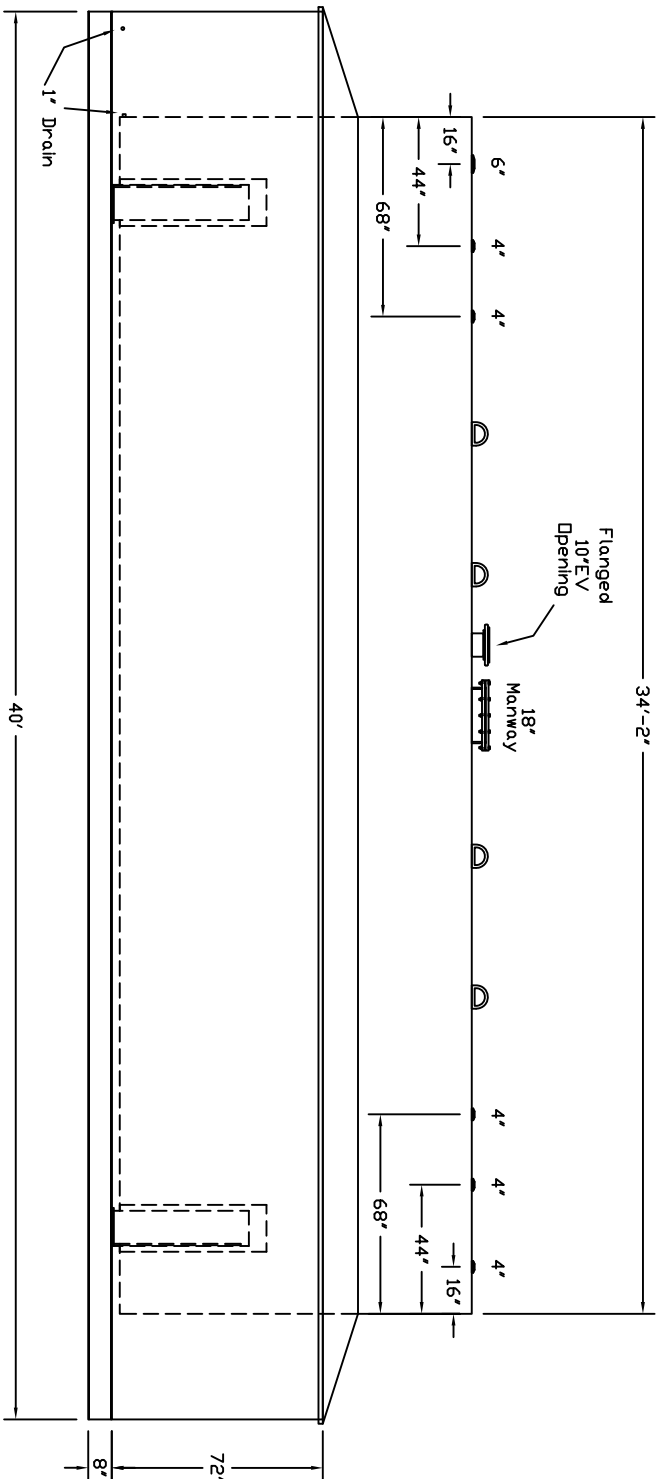
Starwade Metal Products, Inc.
 6868 State Route 305 PD Box 10
 Hartford, Ohio 44424
 Phone: 800-826-5243 Fax: 1-330-772-3307
 www.tankstore.com

Tank is for stationary use only



Capacity	20,000 Gallons	Heads Primary	1/4"	Paint Ext.	Red Primer
Design	Dike/Rainshield	Shell Primary	1/4"	Paint Int.	
Code	UL 142	Heads Secondary		Weight Empty	35,000 lbs.
Test Pres.	5 PSI	Shell Secondary		Rev.#	Date:

Dike/Rainshield: 1/4"
 Dike Capacity: 21,500 gallons



Customer: _____

Drq. Date: _____

Drawing Approved By: _____

Quoted Lead Times Begin Upon Receipt of signed Approved Drawing, Which Must be Returned Before Production Can Begin.