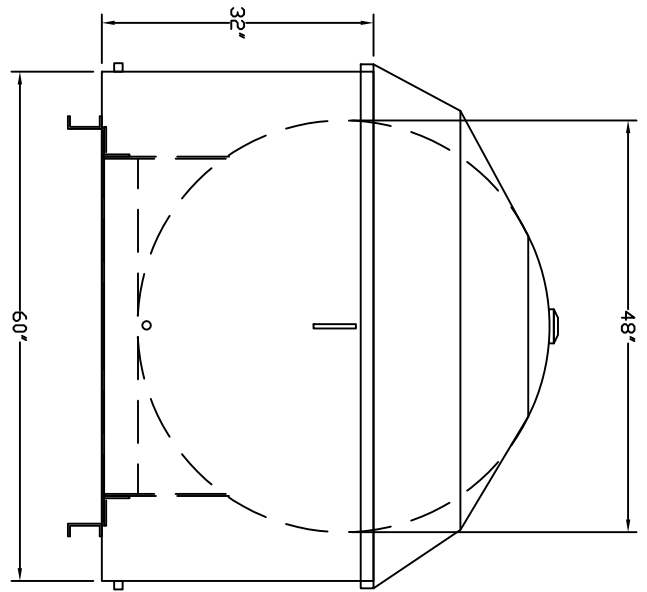
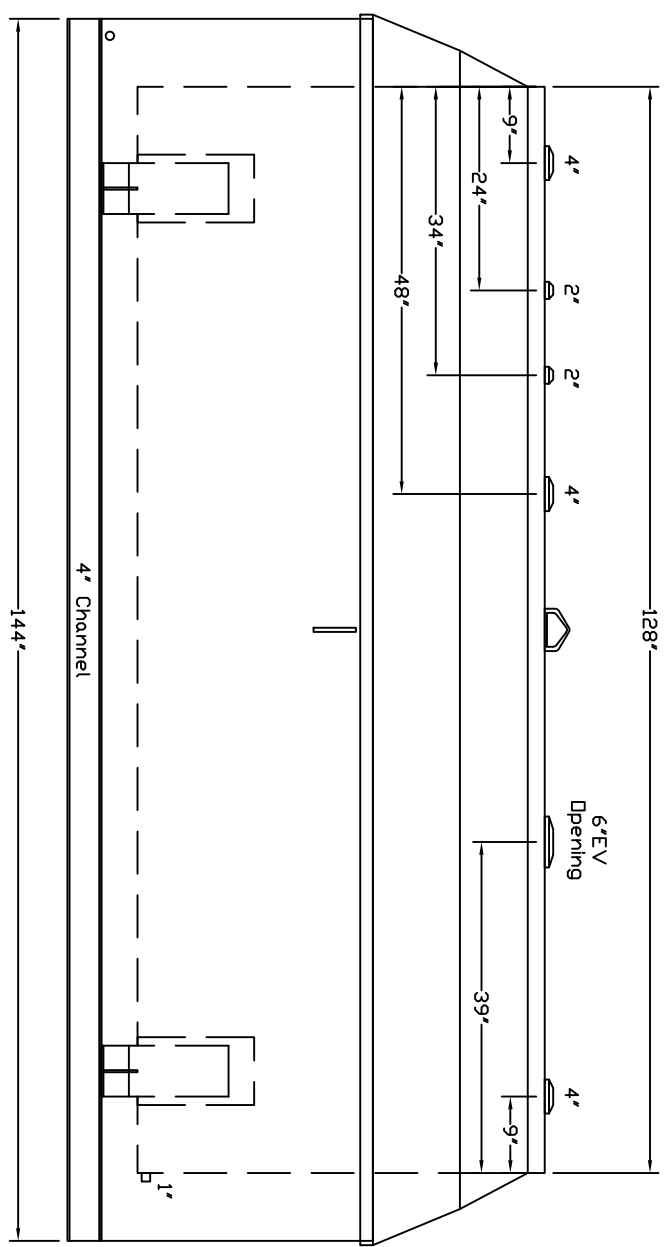


Starwade Metal Products, Inc.
 6868 State Route 305 PD Box 10
 Hartford, Ohio 44424
 Phone: 800-826-5243 Fax: 1-330-772-3307
 www.tankstore.com

Tank For Stationary Use Only

Capacity	1,000 Gallons	Heads Primary	10 Gauge	Paint Ext.	Red Primer
Design	Dike/Rainshield	Shell Primary	10 Gauge	Paint Int.	
Code	UL 142	Heads Secondary		Weight Empty	2,875 lbs.
Test Pres.	5 PSI	Shell Secondary		Rev.#	Date:
		Dike/Rainshield:	7 Gauge		
		Dike Capacity:	1196 Gallons		



Customer: _____ Drg. Date: _____
 Quoted Lead Times Begin Upon Receipt of signed Approved
 Drawing, Which Must be Returned Before Production Can Begin.

Drawing Approved By: _____