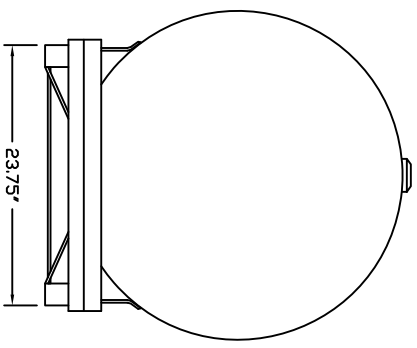
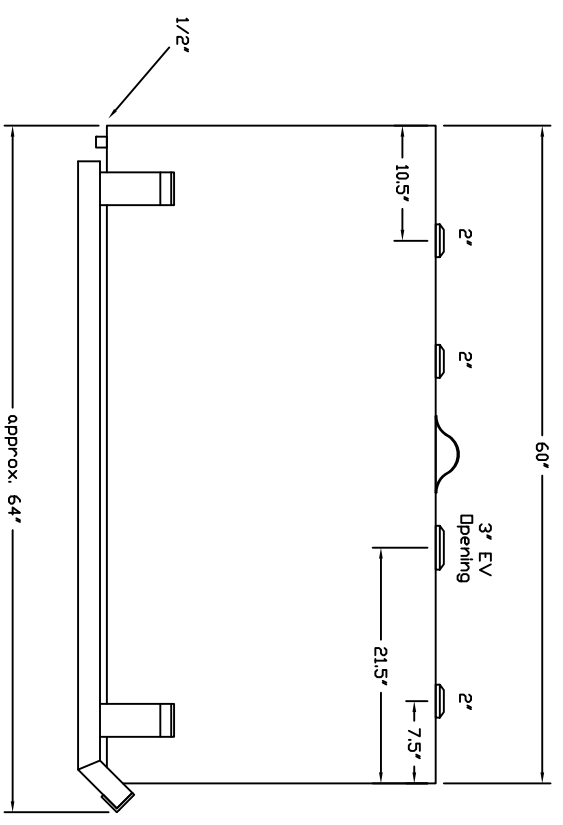
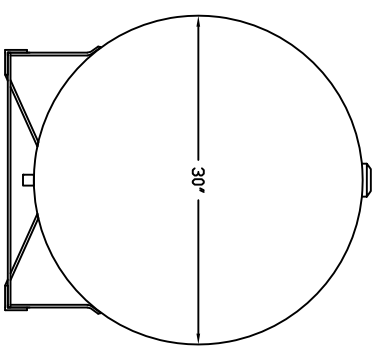


Starwade Metal Products, Inc.
 6868 State Route 305 PD Box 10
 Hartford, Ohio 44424
 Phone: 800-826-5243 Fax: 1-330-772-3307
 www.tankstore.com

Tank For Stationary Use Only

Capacity	175 Gallons	Heads	Primary	12 Gauge	Paint Ext.	Red Primer
Design	Singlewall Skid	Shell	Primary	12 Gauge	Paint Int.	
Code	UL 142	Heads	Secondary		Weight Empty	350 lbs.
Test Pres.	5 PSI	Shell	Secondary		Rev.#	Date:



Customer: _____

Drg. Date: _____

Drawing Approved By: _____

Quoted Lead Times Begin Upon Receipt of signed Approved Drawing, Which Must be Returned Before Production Can Begin.