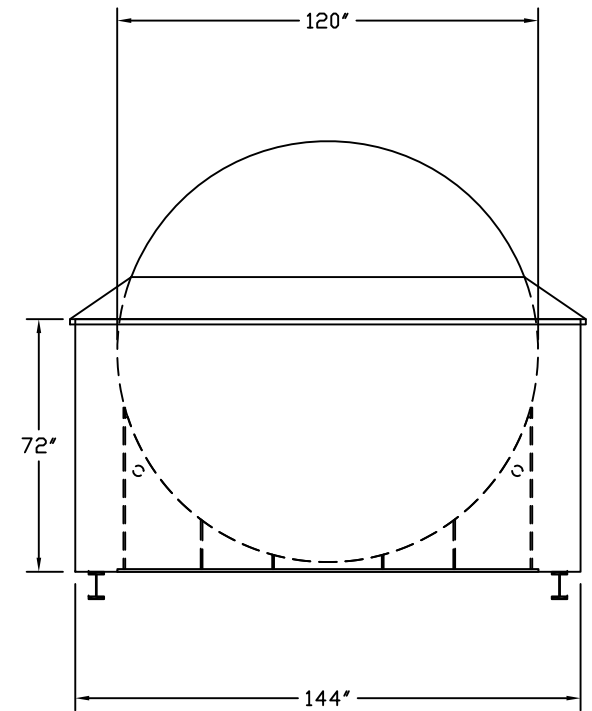
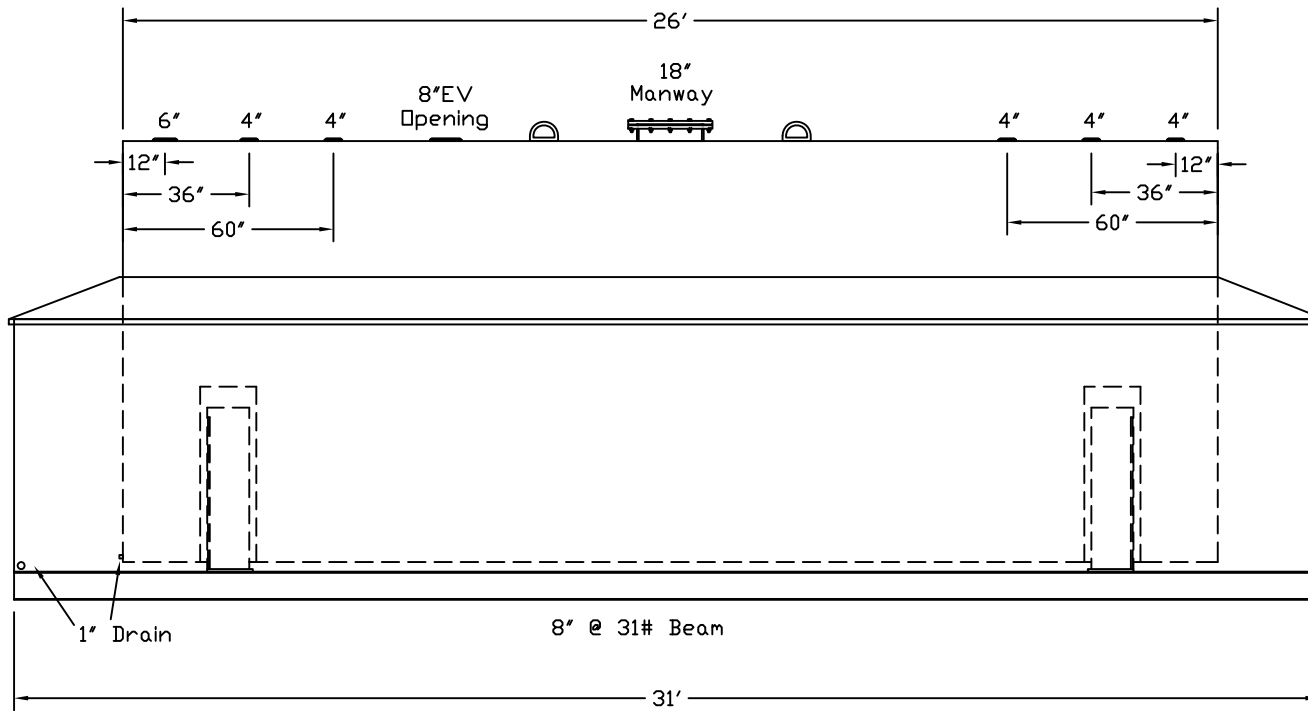


Stanwade Metal Products, Inc.  
 6868 State Route 305 PO Box 10  
 Hartford, Ohio 44424  
 Phone: 800-826-5243 Fax: 1-330-772-3307  
 www.tankstore.com

Capacity \_\_\_\_\_ 15,000 Gallons \_\_\_\_\_ Heads Primary \_\_\_\_\_ 1/4" \_\_\_\_\_ Paint Ext. \_\_\_\_\_ Red Primer \_\_\_\_\_  
 Design \_\_\_\_\_ Dike/Rainshield \_\_\_\_\_ Shell Primary \_\_\_\_\_ 1/4" \_\_\_\_\_ Paint Int. \_\_\_\_\_  
 Code \_\_\_\_\_ UL 142 \_\_\_\_\_ Heads Secondary \_\_\_\_\_ \_\_\_\_\_ Weight Empty \_\_\_\_\_ 30,500 lbs. \_\_\_\_\_  
 Test Pres. \_\_\_\_\_ 5 PSI \_\_\_\_\_ Shell Secondary \_\_\_\_\_ \_\_\_\_\_ Rev.# \_\_\_\_\_ Date: \_\_\_\_\_

Tank For Stationary Use Only

Dike/Rainshield: 1/4"  
 Dike Capacity: 16,650 Gallons



Customer: \_\_\_\_\_ Drg. Date: \_\_\_\_\_

Drawing Approved By: \_\_\_\_\_

Quoted Lead Times Begin Upon Receipt of signed Approved Drawing, Which Must be Returned Before Production Can Begin.