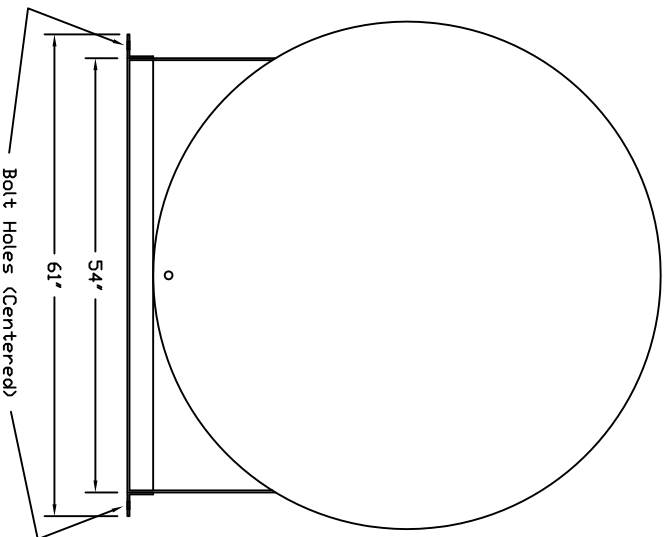
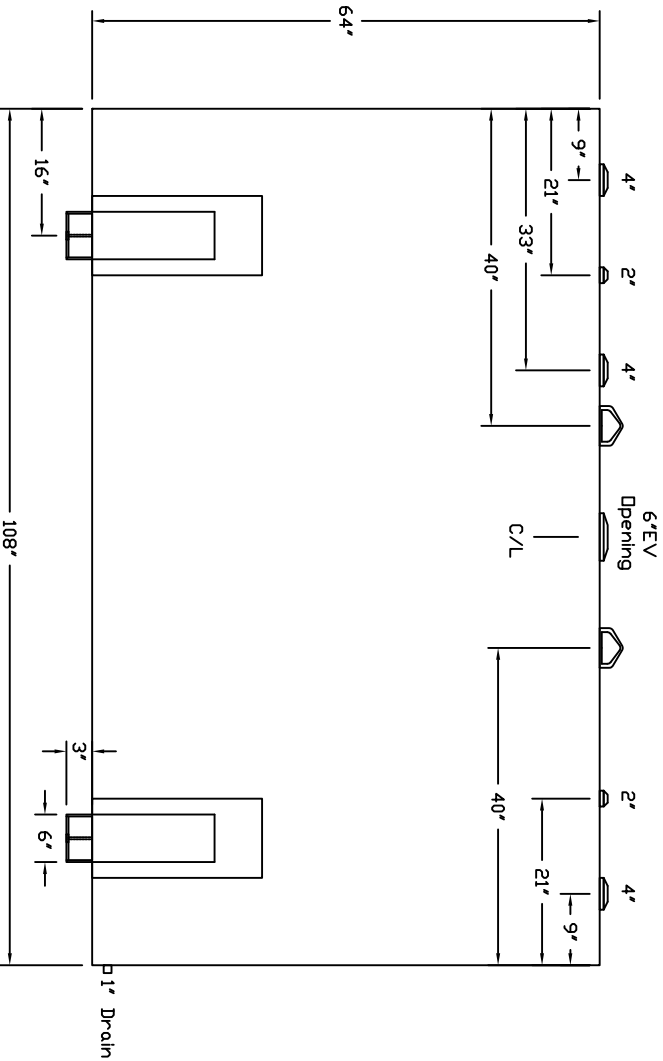


Stankwade Metal Products, Inc.
 6868 State Route 305 PD Box 10
 Hartford, Ohio 44424
 Phone: 800-826-5243 Fax: 1-330-772-3307
 www.tankstore.com

Tank for stationary use only

Capacity	1,500 Gallons	Heads	Primary	7 Gauge	Paint Ext.	Red Primer
Design	Singlewall	Shell Primary	7 Gauge	Paint Int.		
Code	UL 142	Heads Secondary		Weight Empty	1,850 lbs.	
Test Pres.	5 PSI	Shell Secondary		Rev.#		Date:



Customer: _____

Dwg. Date: _____

Drawing Approved By: _____

Quoted Lead Times Begin Upon Receipt of signed Approved Drawing, Which Must be Returned Before Production Can Begin.