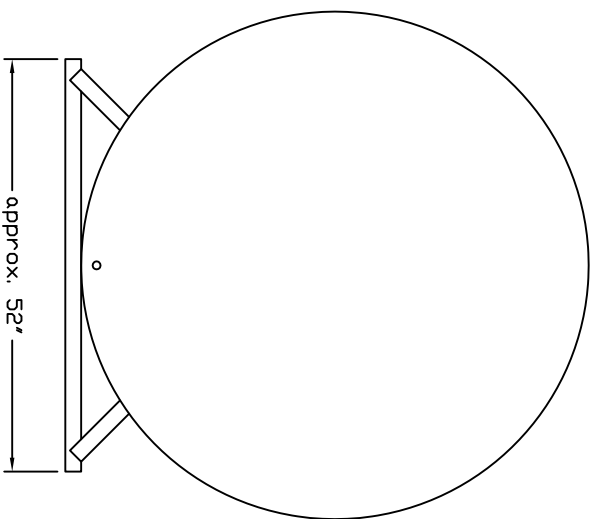
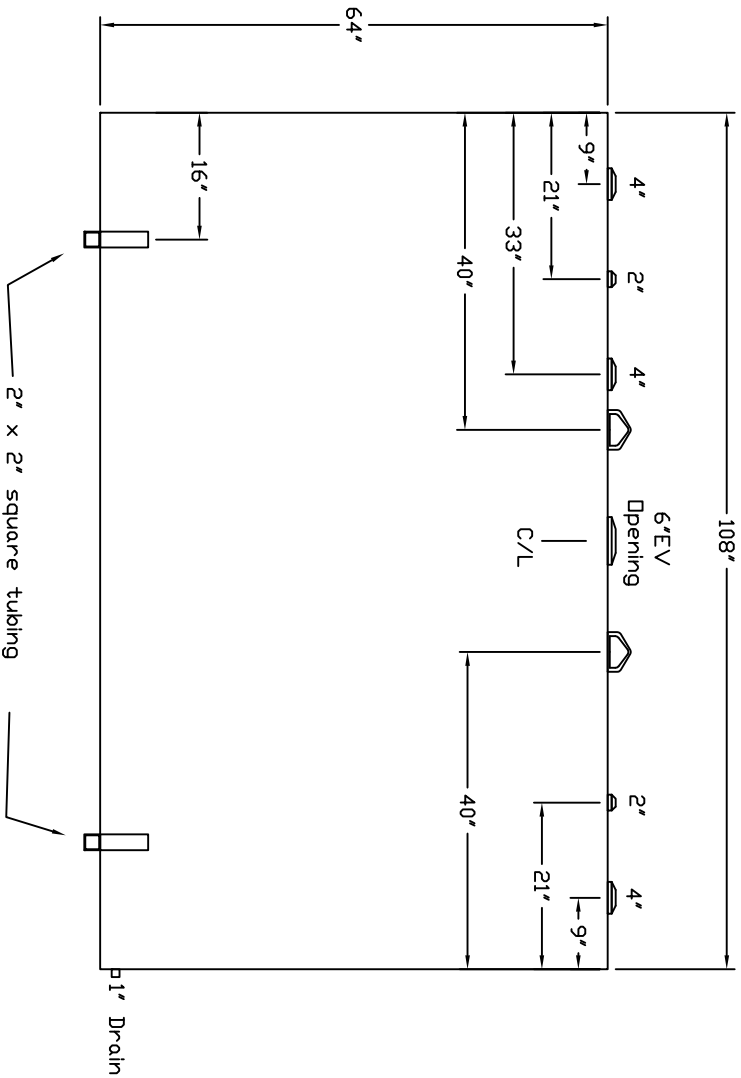


Starwade Metal Products, Inc.  
 6868 State Route 305 PD Box 10  
 Hartford, Ohio 44424  
 Phone: 800-826-5243 Fax: 1-330-772-3307  
 www.tankstore.com

Tank for stationary use only

|            |                        |                 |         |              |            |            |
|------------|------------------------|-----------------|---------|--------------|------------|------------|
| Capacity   | 1500 Gallons           | Heads           | Primary | 7 Gauge      | Paint Ext. | Red Primer |
| Design     | Single Wall Crossangle | Shell Primary   | 7 Gauge | Paint Int.   |            |            |
| Code       | UL 142                 | Heads Secondary |         | Weight Empty | 1,514 lbs. |            |
| Test Pres. | 5 PSI                  | Shell Secondary |         | Rev.#        |            | Date:      |



Customer: \_\_\_\_\_

Dwg. Date: \_\_\_\_\_

Drawing Approved By: \_\_\_\_\_

Quoted Lead Times Begin Upon Receipt of signed Approved Drawing, Which Must be Returned Before Production Can Begin.