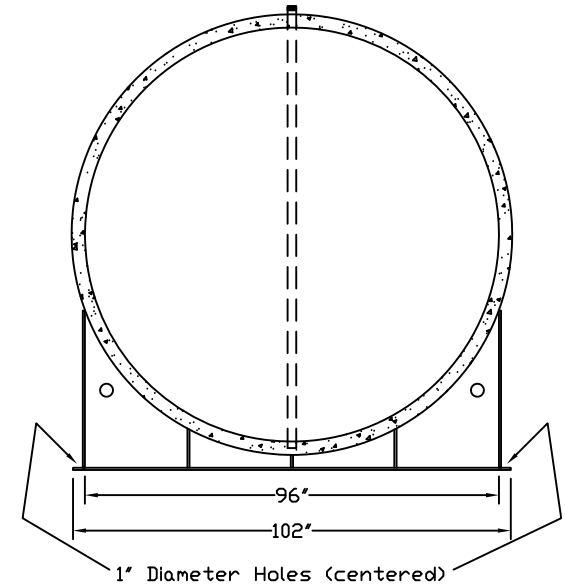
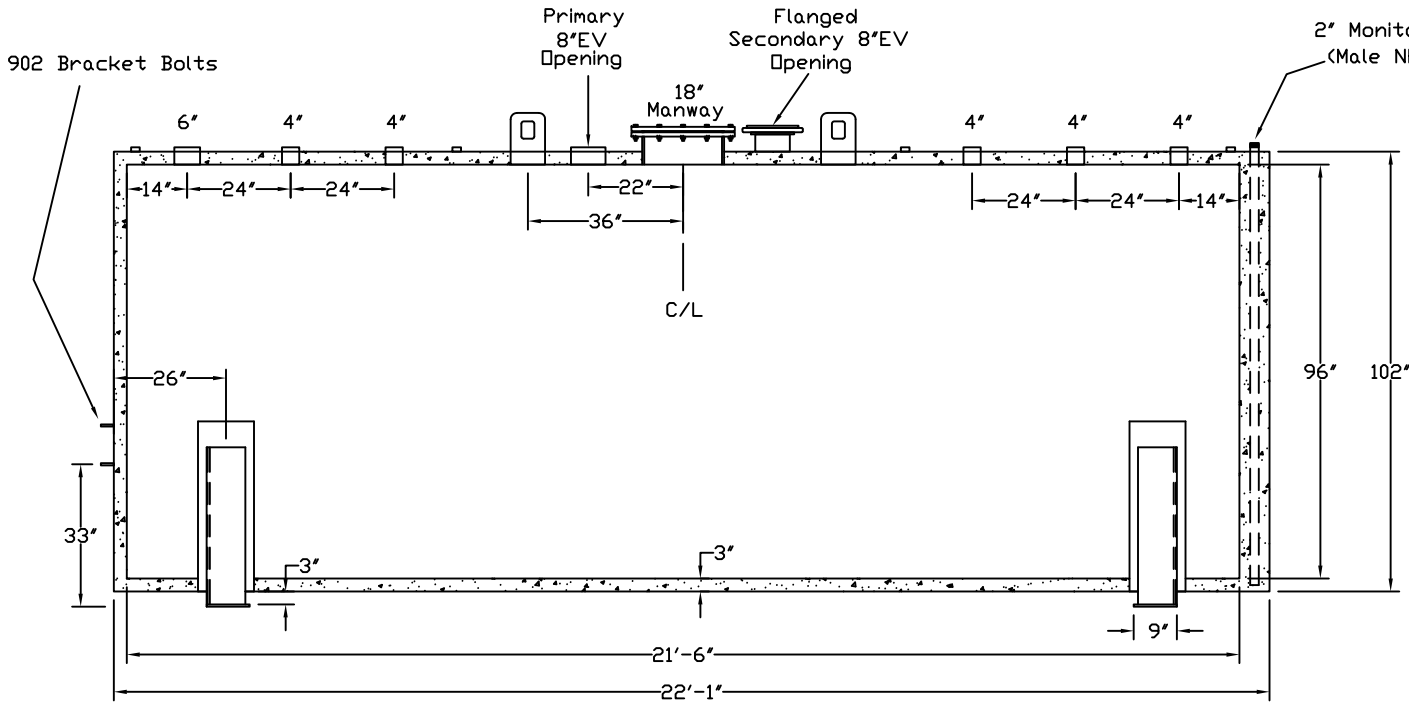


Stanwade Metal Products, Inc.  
 6868 State Route 305 PO Box 10  
 Hartford, Ohio 44424  
 Phone: 800-826-5243 Fax: 1-330-772-3307  
 www.tankstore.com

Capacity 8,000 Gallons Heads Primary 1/4"  
 Design Double Wall AG Shell Primary 1/4"  
 Code UL 2085 Fireguard Heads Secondary 1/4"  
 Test Pres. 5 PSI Shell Secondary 1/4"

Paint Ext. White Urethane  
 Paint Int. \_\_\_\_\_  
 Weight Empty 24,525 lbs.  
 Rev.# \_\_\_\_\_ Date: \_\_\_\_\_

Tank For Stationary Use Only



Customer: \_\_\_\_\_ Drg. Date: \_\_\_\_\_

Quoted Lead Times Begin Upon Receipt of signed Approved Drawing, Which Must be Returned Before Production Can Begin.

Drawing Approved By: \_\_\_\_\_