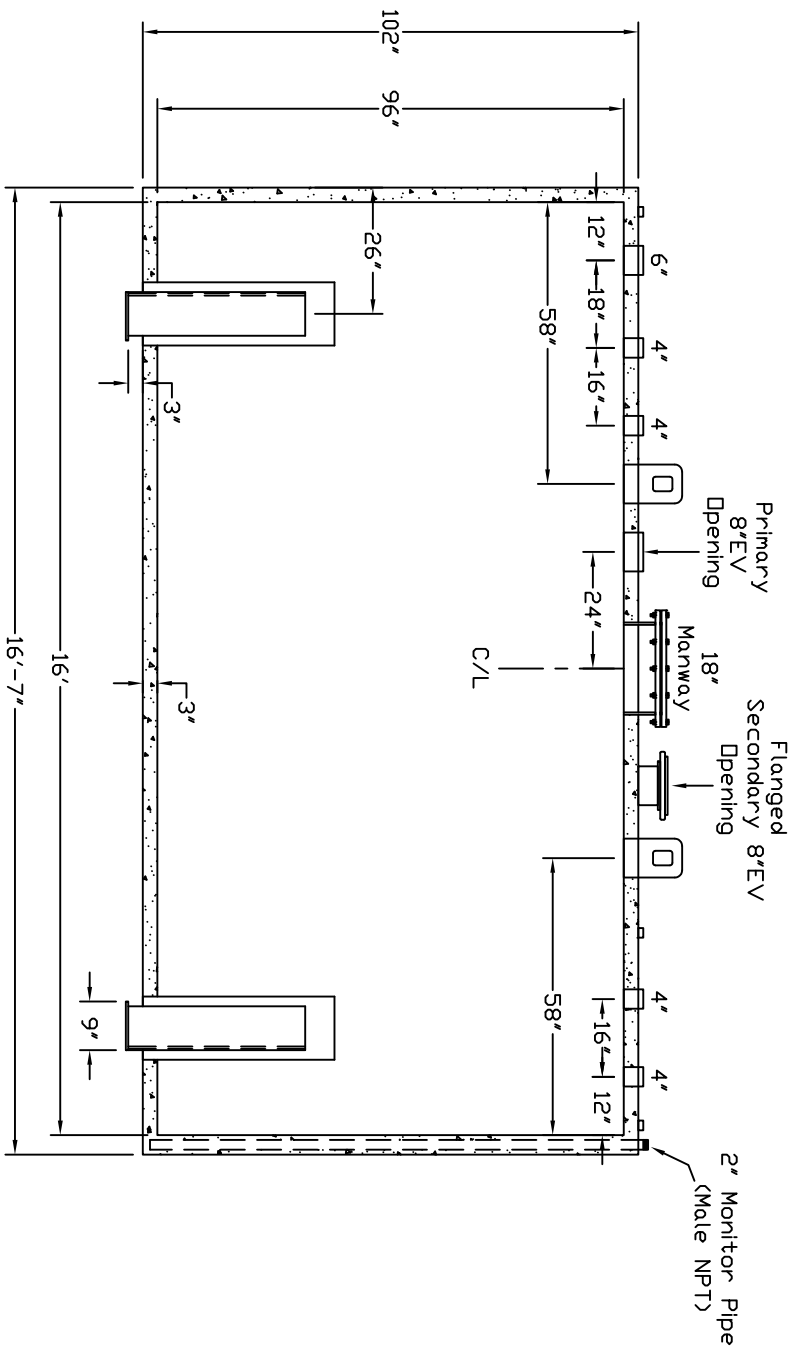
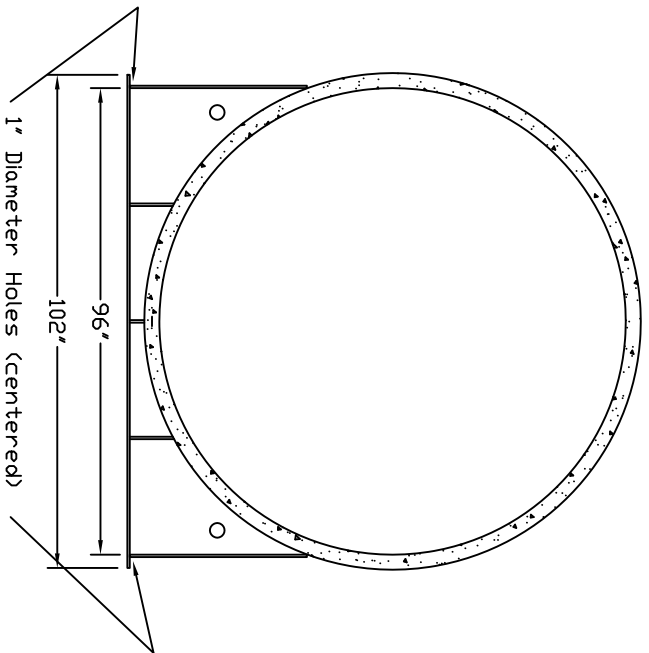


Starwade Metal Products, Inc.
 6868 State Route 305 PD Box 10
 Hartford, Ohio 44424
 Phone: 800-826-5243 Fax: 1-330-772-3307
 www.tankstore.com

Tank For Stationary Use Only



Capacity	6,000 Gallons	Heads	Primary	1/4"	Paint Ext.	Write Urethane
Design	Double Wall AG	Shell Primary	1/4"	Paint Int.		
Code	UL 2085 Fireguard	Heads Secondary	1/4"	Weight Empty	19,500 lbs.	
Test Pres.	5 PSI	Shell Secondary	1/4"	Rev.#		Date:



Customer: _____

Drg. Date: _____

Drawing Approved By: _____

Quoted Lead Times Begin Upon Receipt of signed Approved Drawing, Which Must be Returned Before Production Can Begin.