



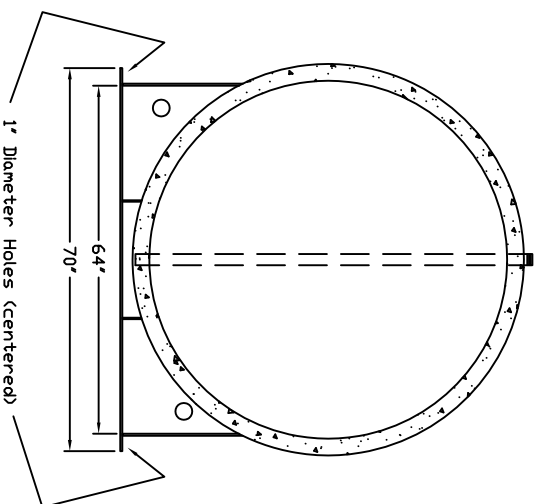
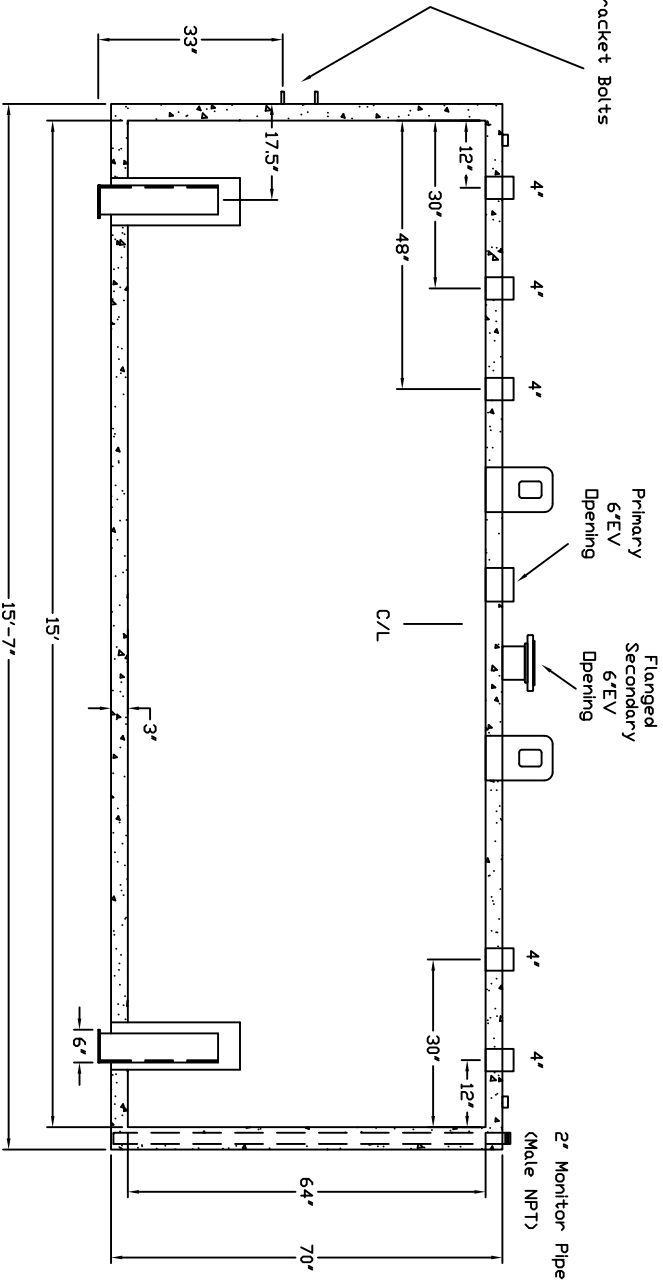
Starwade Metal Products, Inc.
 6868 State Route 305 PD Box 10
 Hart-ford, Ohio 44424
 Phone: 800-826-5243 Fax: 1-330-772-3307
 www.tankstore.com

Tank For Stationary Use Only

Capacity ----- 2,500 Gallons -----
 Design ----- Double Wall AG -----
 Code ----- UL 2085 Fireguard -----
 Test Pres. ----- 5 PSI -----
 Heads Primary ----- 7 Gauge -----
 Heads Secondary ----- 7 Gauge -----
 Shell Primary ----- 7 Gauge -----
 Shell Secondary ----- 7 Gauge -----

Paint Ext. ----- White Urethane -----
 Paint Int. ----- -----
 Weight Empty ----- 9,250 lbs. -----
 Rev.# ----- Date: -----

902 Bracket Bolts



Customer: -----

Drng. Date: -----

Quoted Lead Times Begin Upon Receipt of signed Approved Drawing, Which Must be Returned Before Production Can Begin.

Drawing Approved By: -----