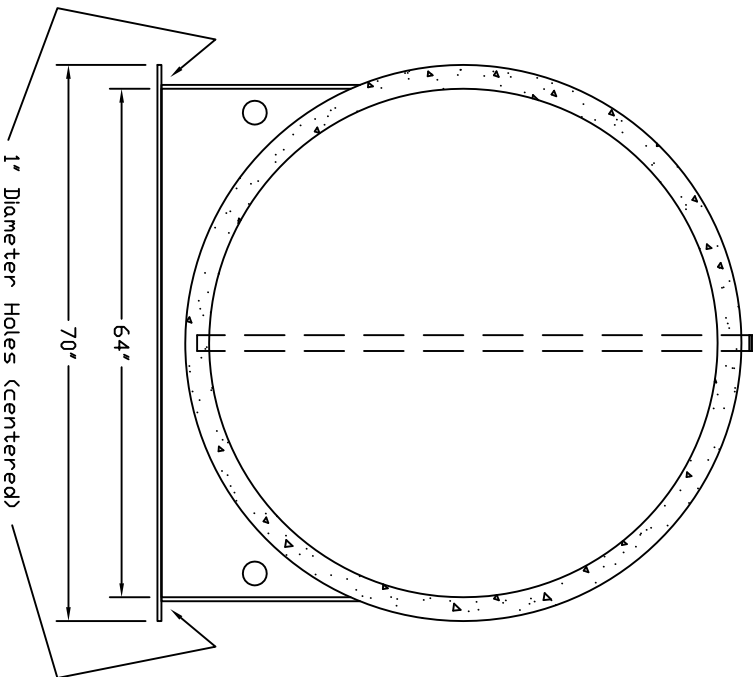
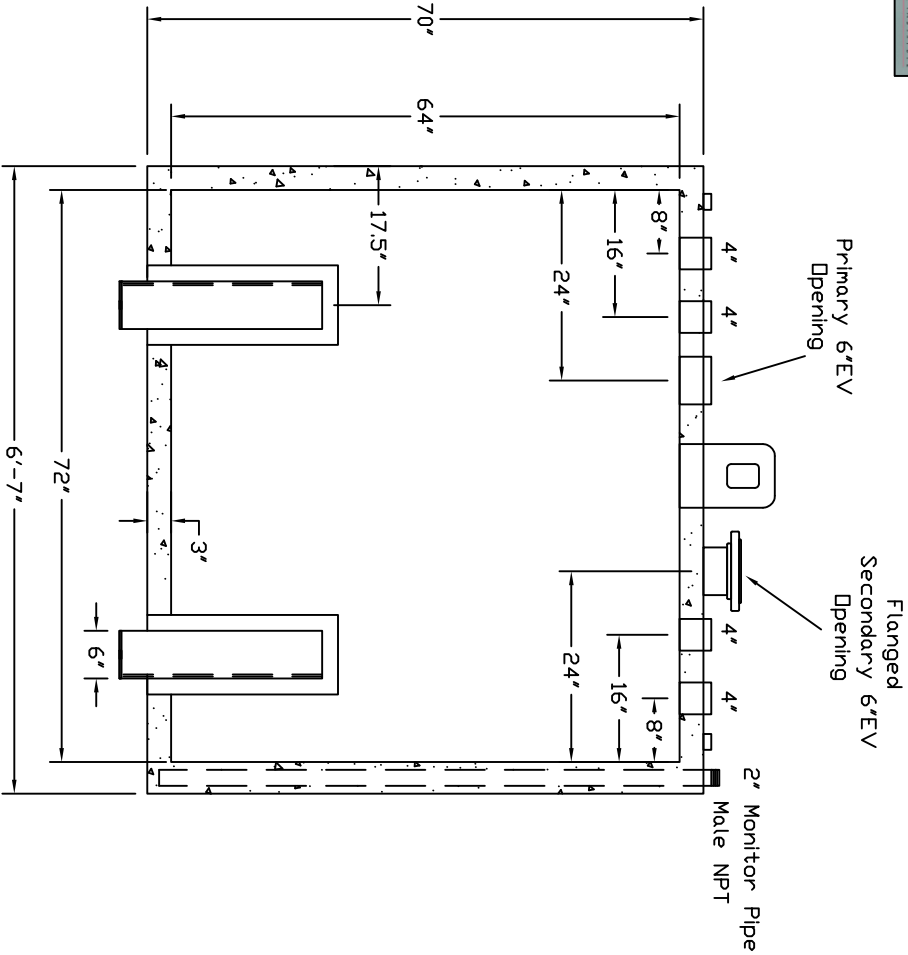


Starnwade Metal Products, Inc.
 6668 State Route 305 PD Box 10
 Hartford, Ohio 44424
 Phone: 800-826-5243 Fax: 1-330-772-3307
 www.tankstore.com

Tank For Stationary Use Only



Capacity	1,000 Gallons	Heads	Primary	7 Ga.	Paint Ext.	White Urethane
Design	Double Wall AG	Shell Primary	7 Ga.	Paint Int.		
Code	UL 2085 Fireguard	Heads Secondary	7 Ga.	Weight Empty	4,525 lbs.	
Test Pres.	5 PSI	Shell Secondary	7 Ga.	Rev #		Date:



Customer: _____

Drq. Date: _____

Drawing Approved By: _____

Quoted Lead Times Begin Upon Receipt of signed Approved Drawing, Which Must be Returned Before Production Can Begin.