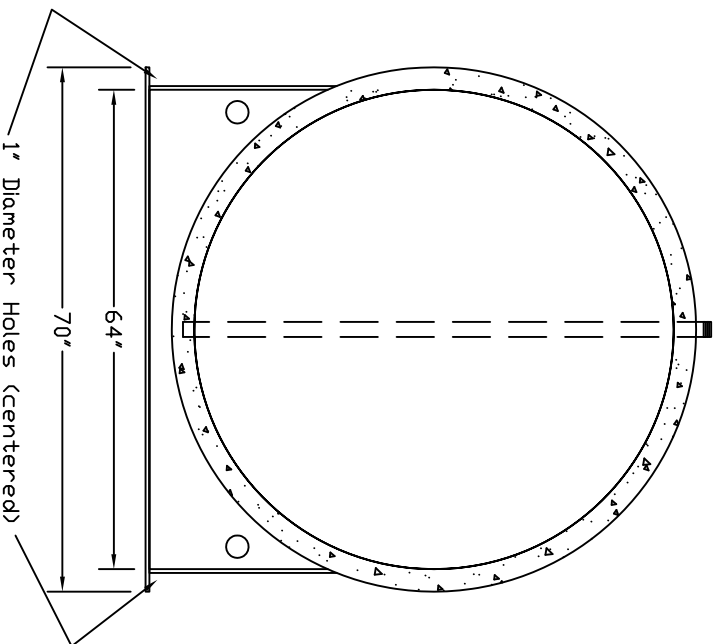
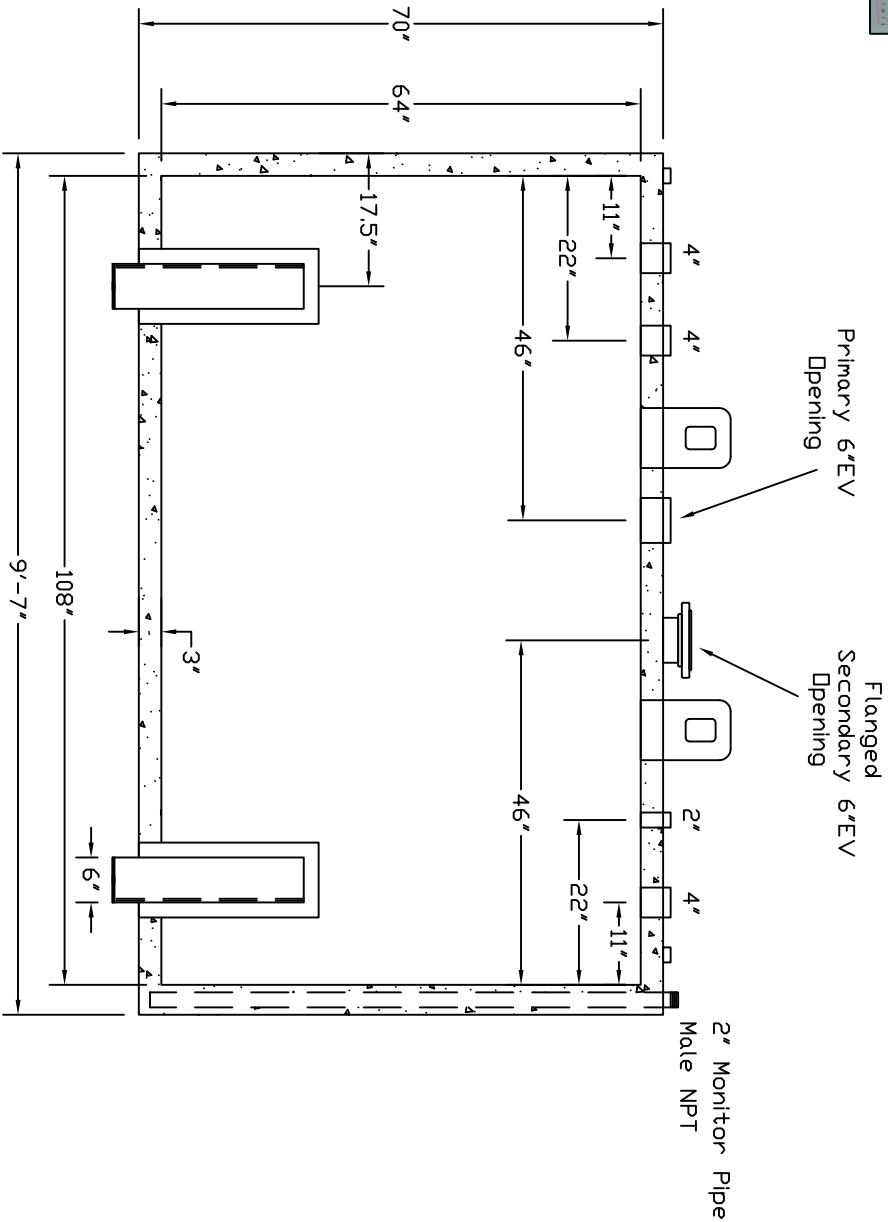




Starwade Metal Products, Inc.  
 6868 State Route 305 PD Box 10  
 Hartford, Ohio 44424  
 Phone: 800-826-5243 Fax: 1-330-772-3307  
 www.tankstore.com

Tank For Stationary Use Only

Capacity	1,500 Gallons	Heads	Primary 7 Ga.	Paint Ext.	White Urethane
Design	Double Wall AG	Shell Primary	7 Ga.	Paint Int.	
Code	UL 2085 Fireguard	Heads Secondary	7 Ga.	Weight Empty	6,100 lbs.
Test Pres.	5 PSI	Shell Secondary	7 Ga.	Rev.#	Date:



Customer: \_\_\_\_\_

Drq. Date: \_\_\_\_\_

Drawing Approved By: \_\_\_\_\_

Quoted Lead Times Begin Upon Receipt of signed Approved Drawing, Which Must be Returned Before Production Can Begin.