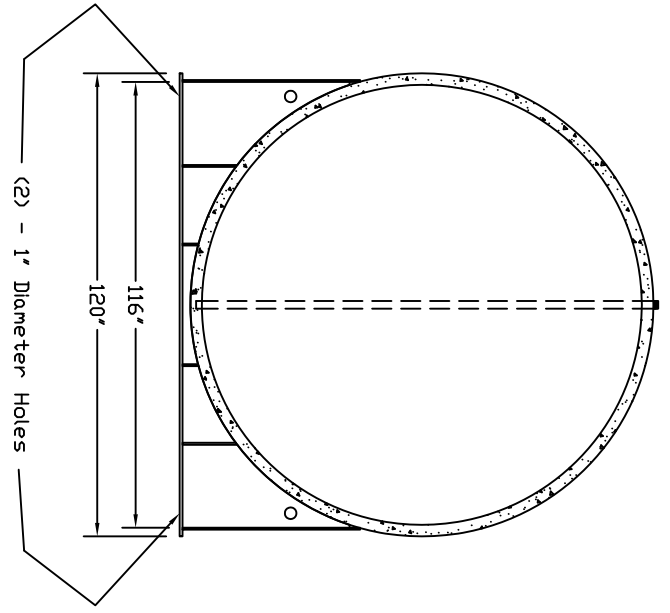
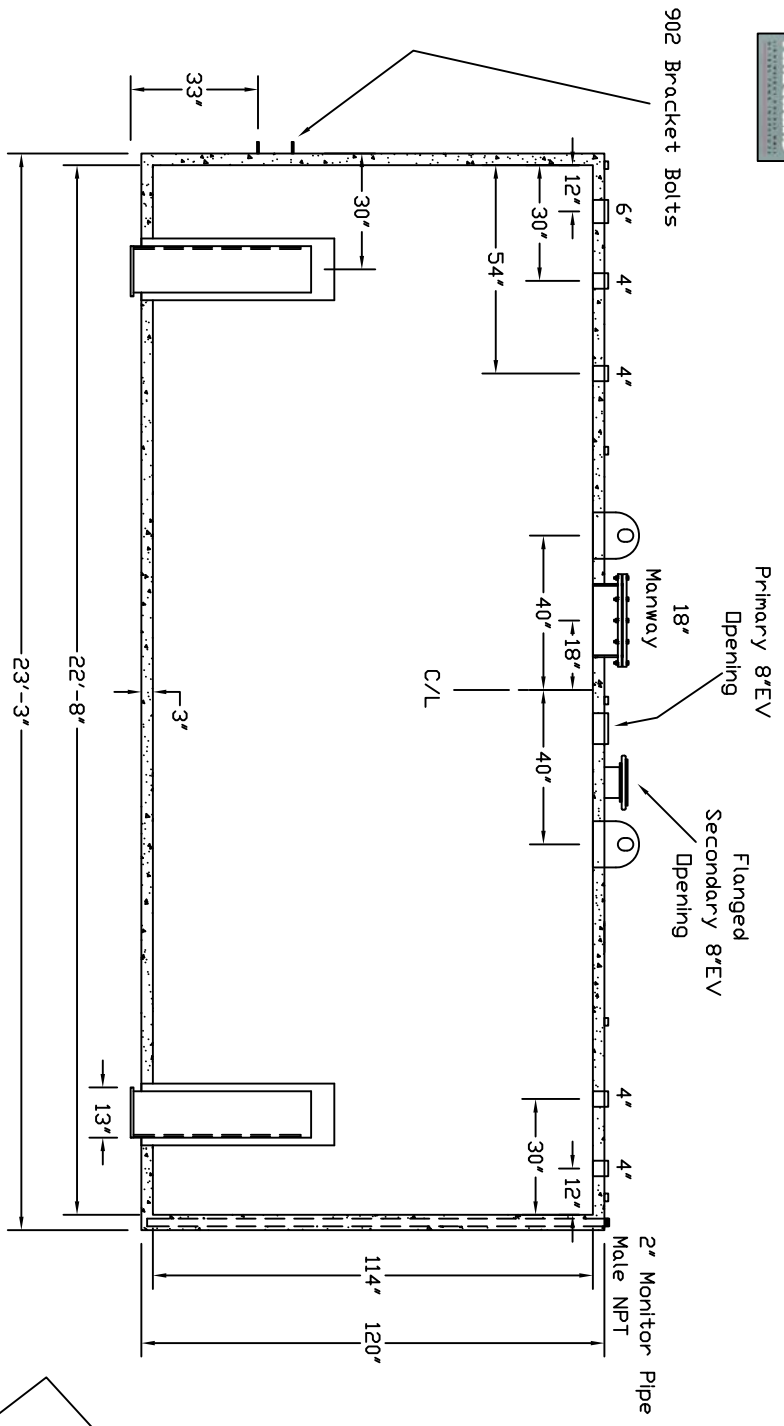


Starwade Metal Products, Inc.
 6868 State Route 305 PD Box 10
 Hartford, Ohio 44424
 Phone: 800-826-5243 Fax: 1-330-772-3307
 www.tankstore.com



Tank For Stationary Use Only

Capacity	12,000 Gallons	Heads Primary	1/4"	Paint Ext.	White Urethane
Design	Double Wall AG	Shell Primary	1/4"	Paint Int.	
Code	UL 2085 Fireguard	Heads Secondary	1/4"	Weight Empty	32,400 lbs.
Test Pres.	5 PSI	Shell Secondary	1/4"	Rev.#	Date:



Customer: _____ Drg. Date: _____
 Quoted Lead Times Begin Upon Receipt of signed Approved
 Drawing, Which Must be Returned Before Production Can Begin.
 Drawing Approved By: _____