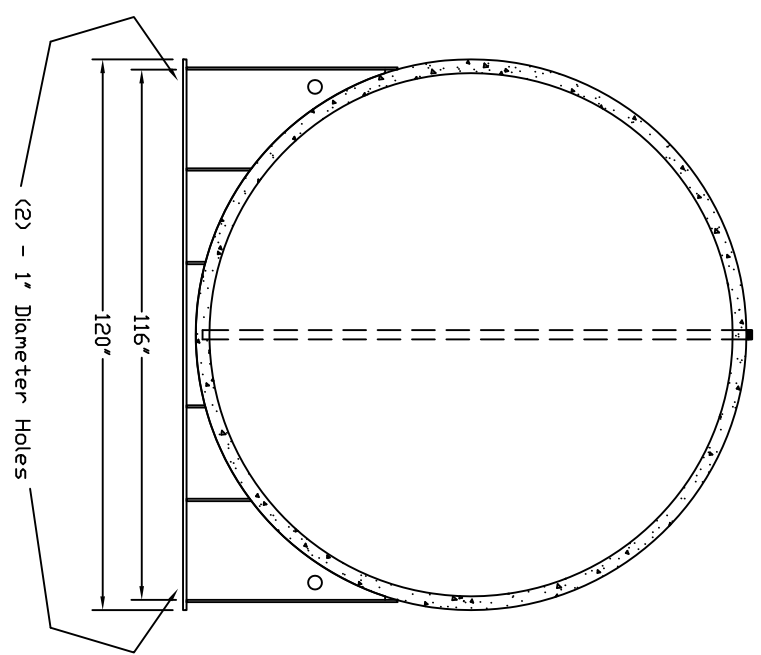
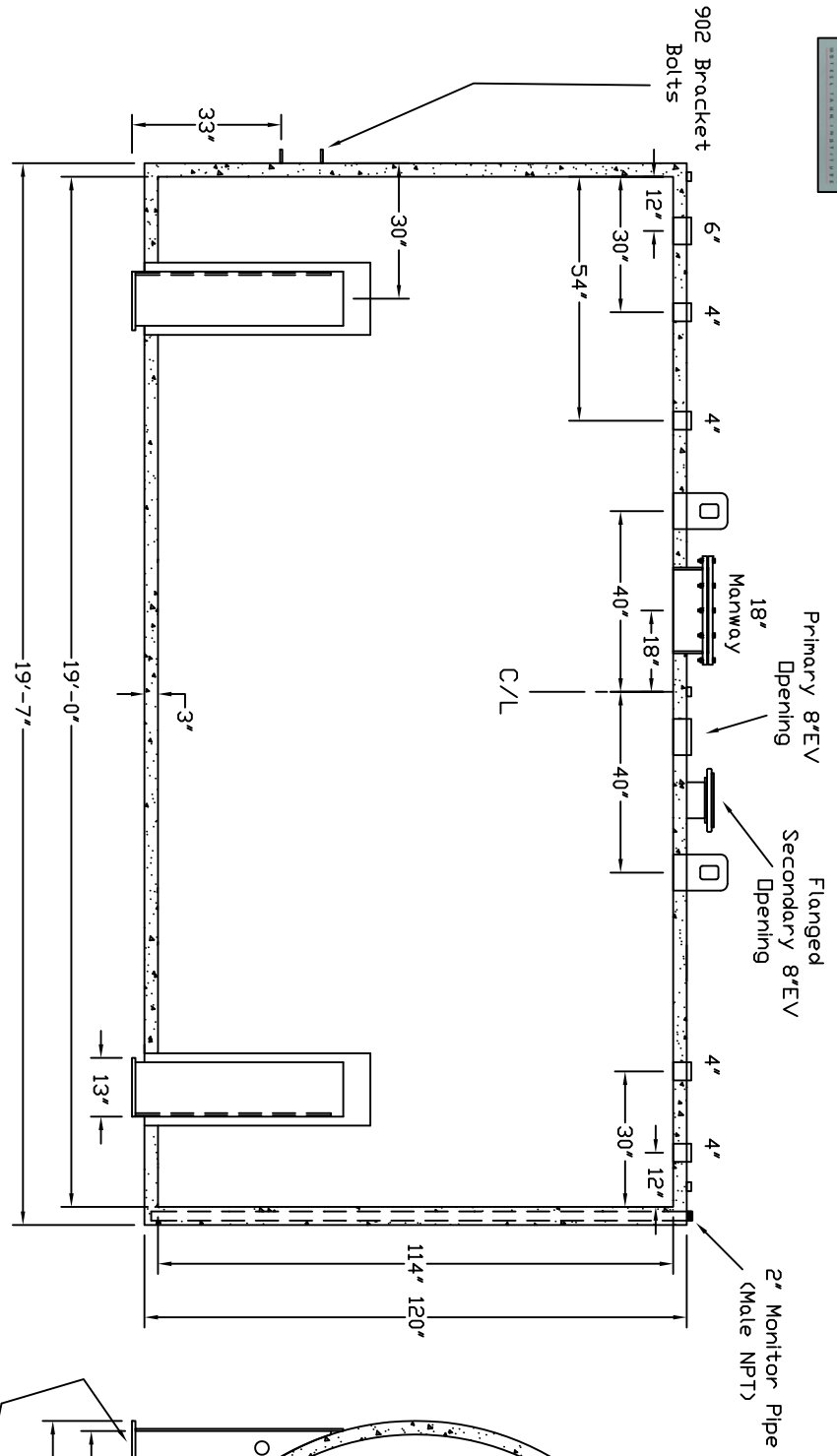




Starwade Metal Products, Inc.  
 6868 State Route 305 PD Box 10  
 Hartford, Ohio 44424  
 Phone: 800-826-5243 Fax: 1-330-772-3307  
 www.tankstore.com

Tank For Stationary Use Only

Capacity	10,000 Gallons	Heads Primary	1/4"	Paint Ext.	White Urethane
Design	Double Wall AG	Shell Primary	1/4"	Paint Int.	
Code	UL 2085 Fireguard	Heads Secondary	1/4"	Weight Empty	28,975 lbs.
Test Pres.	5 PSI	Shell Secondary	1/4"	Rev.#	Date:



Customer: \_\_\_\_\_

Drq. Date: \_\_\_\_\_

Drawing Approved By: \_\_\_\_\_

Quoted Lead Times Begin Upon Receipt of signed Approved Drawing, Which Must be Returned Before Production Can Begin.