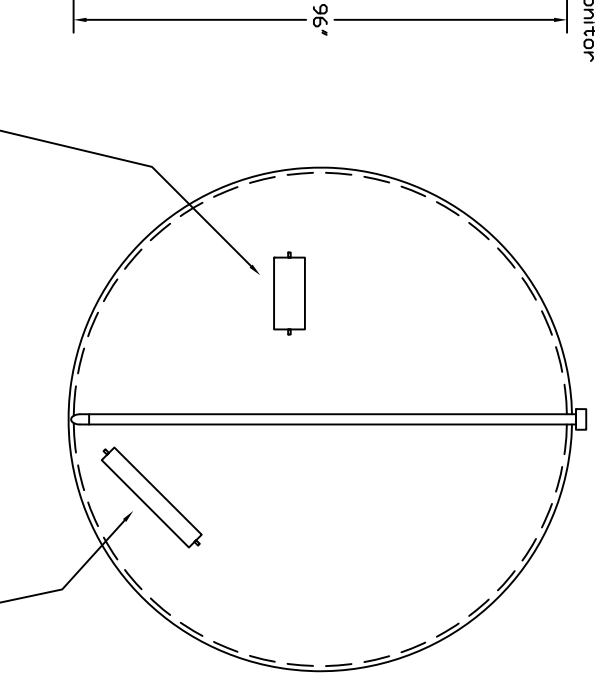
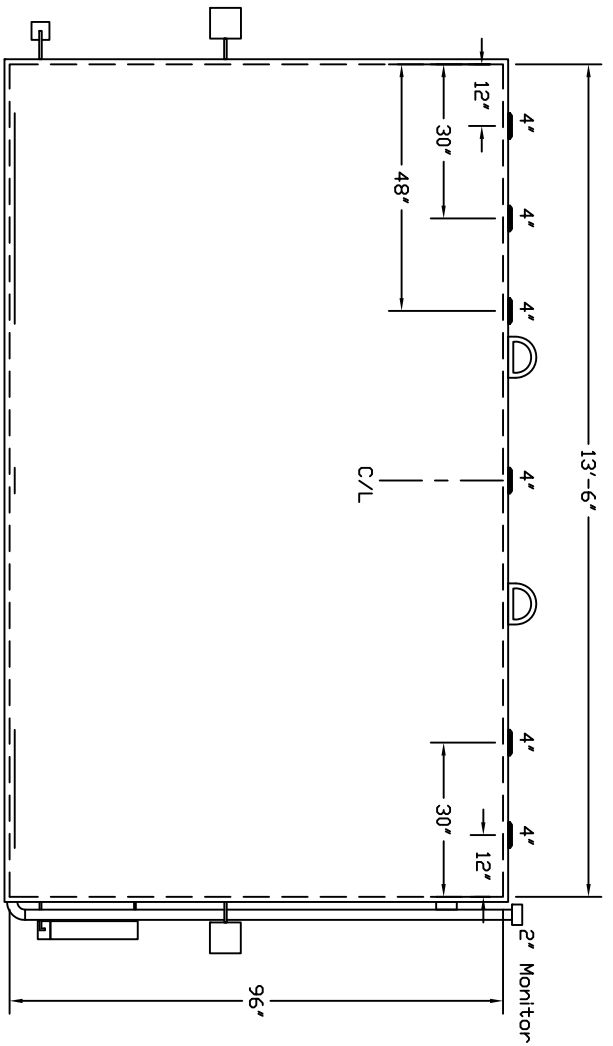


Starnwade Metal Products, Inc.
 6868 State Route 305 PD Box 10
 Hart-ford, Ohio 44424
 Phone: 800-826-5243 Fax: 1-330-772-3307
 www.tankstore.com



Capacity	5,000 Gallons	Heads	Primary 1/4"	Paint Ext.	Black Urethane
Design	360 Doublewall UG	Shell Primary	1/4"	Paint Int.	
Code	UL 58 STI-IP3	Heads Secondary	1/4"	Weight Empty	8,550 lbs.
Test Pres.	5 PSI	Shell Secondary	10 Gauge	Rev.#	Date:



Striker plates under all openings

Customer: _____

Drg. Date: _____

Drawing Approved By: _____

Quoted Lead Times Begin Upon Receipt of signed Approved Drawing, Which Must be Returned Before Production Can Begin.