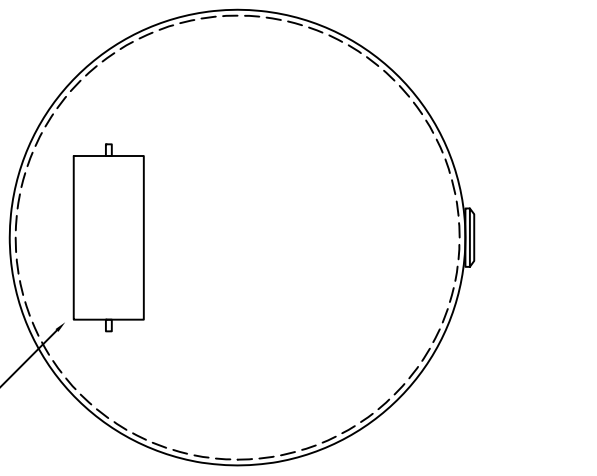


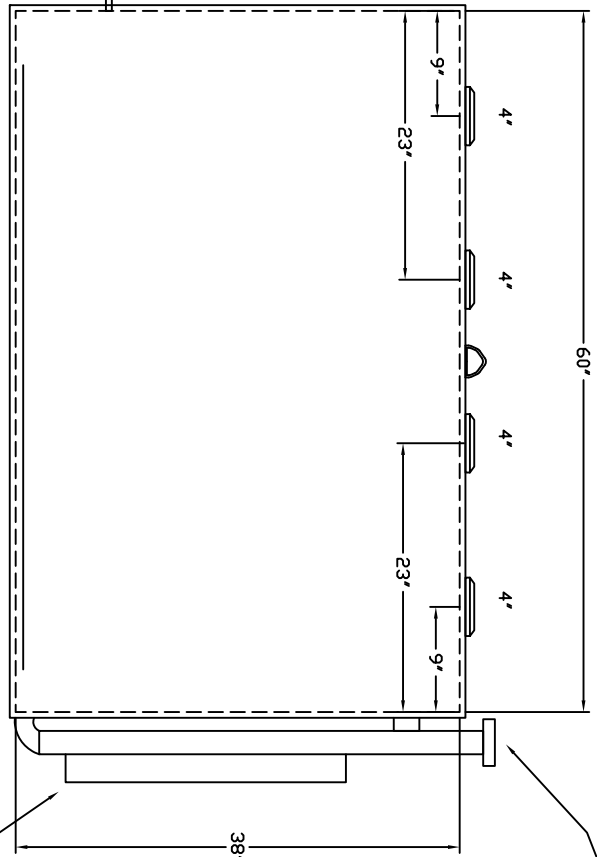
Starwade Metal Products, Inc.
 6868 State Route 305 PD Box 10
 Hartford, Ohio 44424
 Phone: 800-826-5243 Fax: 1-330-772-3307
 www.tankstore.com



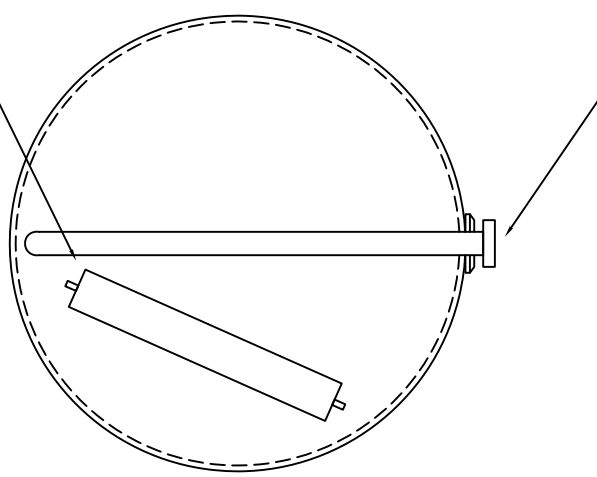
Capacity	300 Gallons	Heads	Primary 10 Gauge	Paint Ext.	Black Urethane
Design	360 Deg. Doublewall	Shell Primary	10 Gauge	Paint Int.	
Code	STI-P3 UL 58	Heads Secondary	10 Gauge	Weight Empty	950 lbs.
Test Pres.	5 PSI	Shell Secondary	10 Gauge	Rev. #	Date:



Magnesium Anode



Striker plates under all openings



Zinc Anode

Customer: _____

Dwg. Date: _____

Drawing Approved By: _____

Quoted Lead Times Begin Upon Receipt of signed Approved Drawing, Which Must be Returned Before Production Can Begin.