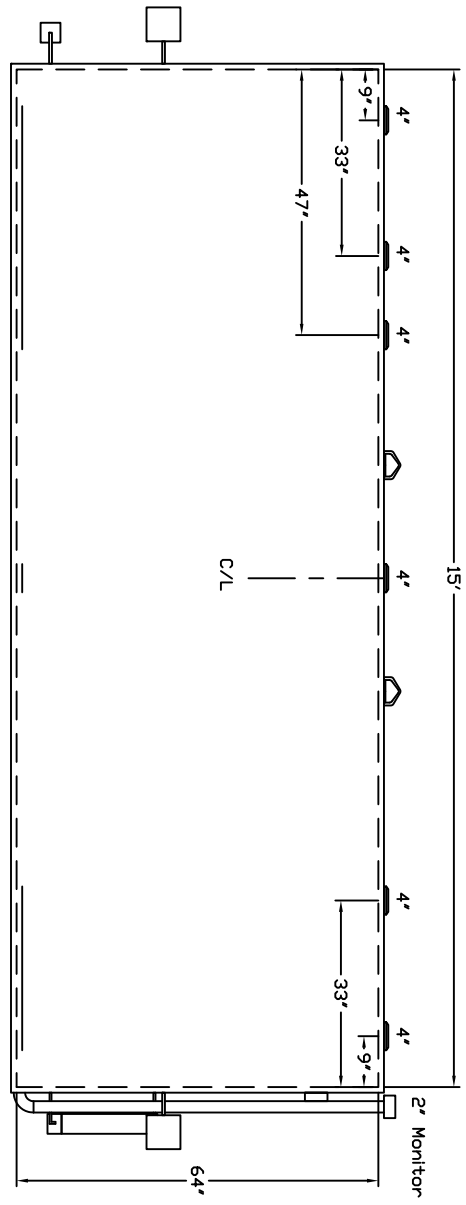


Starwade Metal Products, Inc.  
 6868 State Route 305 PD Box 10  
 Hartford, Ohio 44424  
 Phone: 800-826-5243 Fax: 1-330-772-3307  
 www.tankstore.com



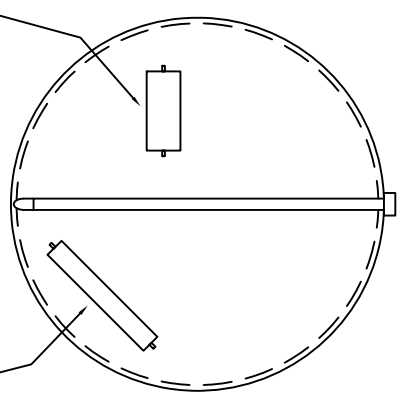
Capacity	2,500 Gallons	Heads	Primary	7 Gauge	Paint Ext.	Black Urethane
Design	360 Doublewall UG	Shell Primary	7 Gauge	Paint Int.		
Code	UL 58 STI-P3	Heads Secondary	7 Gauge	Weight Empty	4,650 lbs.	
Test Pres.	5 PSI	Shell Secondary	10 Gauge	Rev.#		Date:



Striker plates under all openings

Magnesium anode

Zinc anode



Customer: \_\_\_\_\_ Drg. Date: \_\_\_\_\_ Drawing Approved By: \_\_\_\_\_  
 Quoted Lead Times Begin Upon Receipt of signed Approved Drawing, Which Must be Returned Before Production Can Begin.