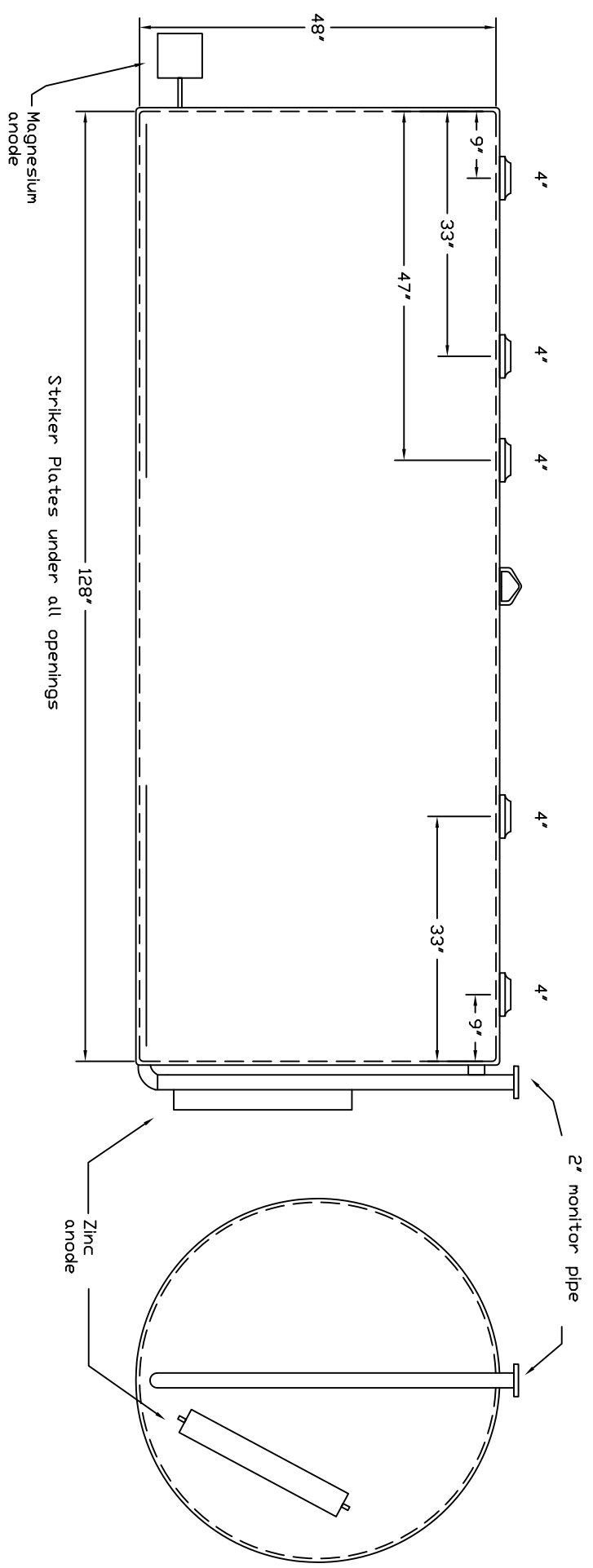


Starwade Metal Products, Inc.  
 6868 State Route 305 PD Box 10  
 Hartford, Ohio 44424  
 Phone: 800-826-5243 Fax: 1-330-772-3307  
 www.tankstore.com



Capacity	1,000 Gallons	Heads	Primary	10 Gauge	Paint Ext.	Black Urethane
Design	360 Dual Wall	Shell Primary	10 Gauge	Paint Int.		
Code	UL 58 STI-P3	Heads Secondary	10 Gauge	Weight Empty	2,250 lbs.	
Test Pres.	5 PSI	Shell Secondary	10 Gauge	Rev.#		Date:



Customer: \_\_\_\_\_ Drg. Date: \_\_\_\_\_

Quoted Lead Times Begin Upon Receipt of signed Approved Drawing, Which Must be Returned Before Production Can Begin.

Drawing Approved By: \_\_\_\_\_