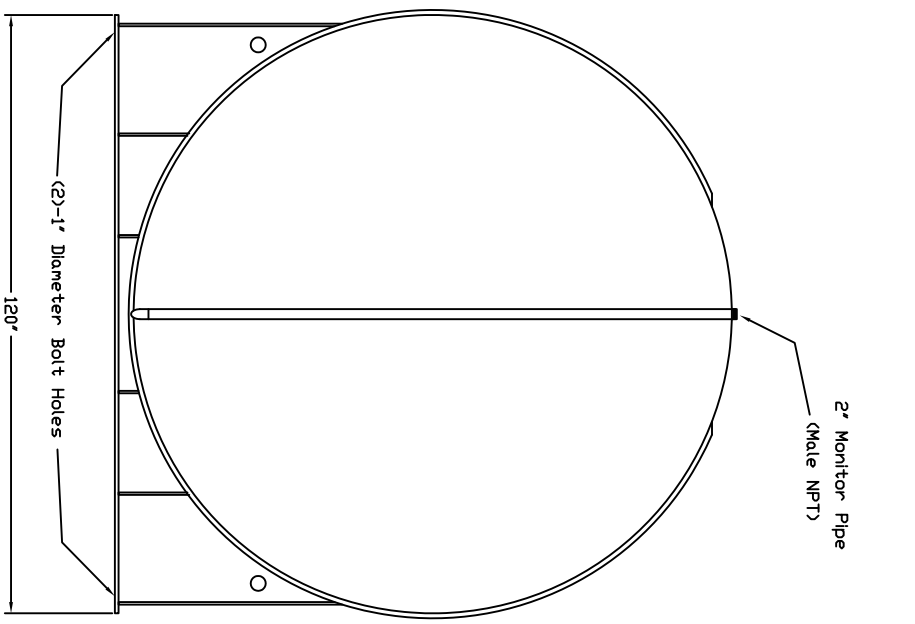
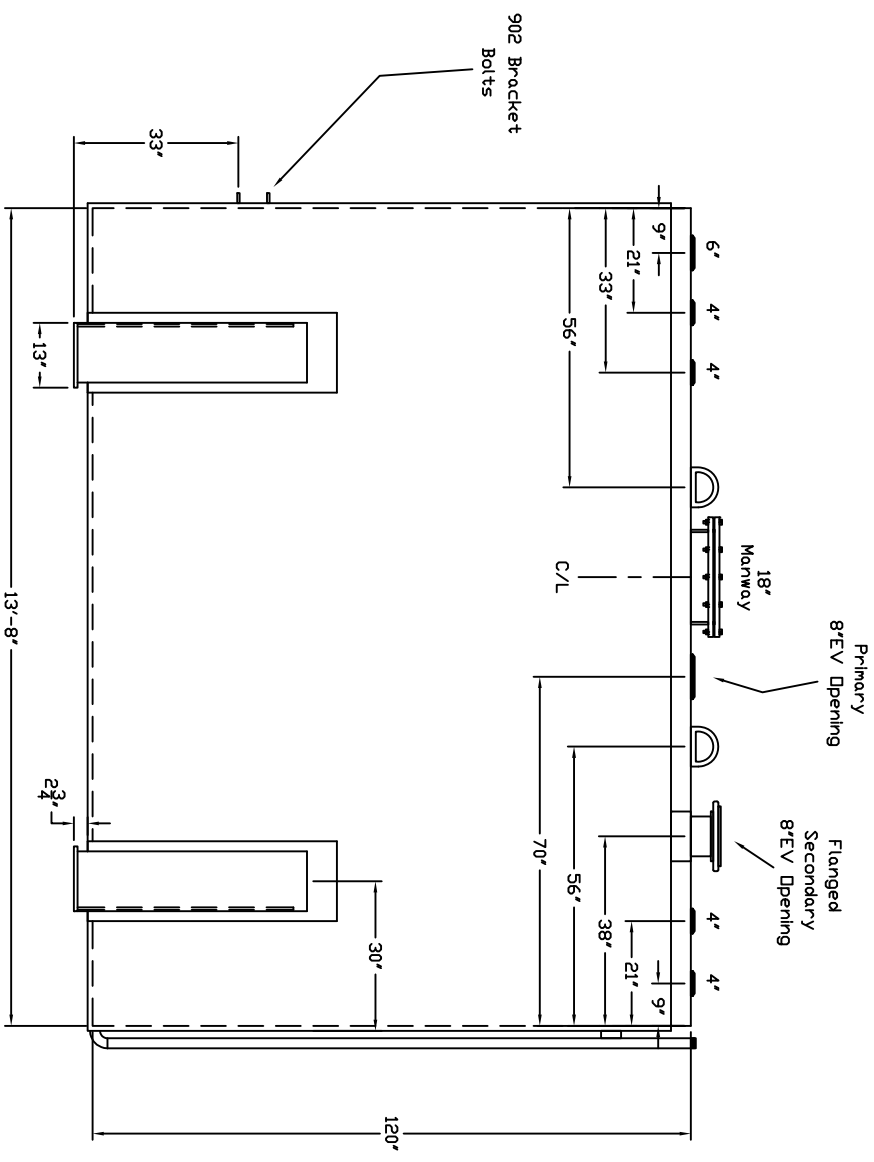


Starwade Metal Products, Inc.  
 6868 State Route 305 PD Box 10  
 Hartford, Ohio 44424  
 Phone: 800-826-5243 Fax: 1-330-772-3307  
 www.tankstore.com

Tank For Stationary Use Only



Capacity	8,000 Gallons	Heads Primary	1/4"	Paint Ext.	White Urethane
Design	Doublewall AG	Shell Primary	1/4"	Paint Int.	
Code	UL 142 Flameshield	Heads Secondary	1/4"	Weight Empty	14,300 lbs.
Test Pres.	5 PSI	Shell Secondary	7 Gauge	Rev.#	Date:



Customer: \_\_\_\_\_ Drg. Date: \_\_\_\_\_  
 Quoted Lead Times Begin Upon Receipt of signed Approved Drawing, Which Must be Returned Before Production Can Begin.  
 Drawing Approved By: \_\_\_\_\_