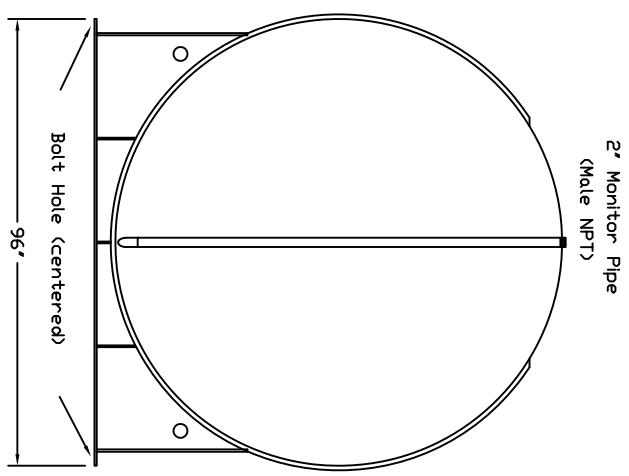
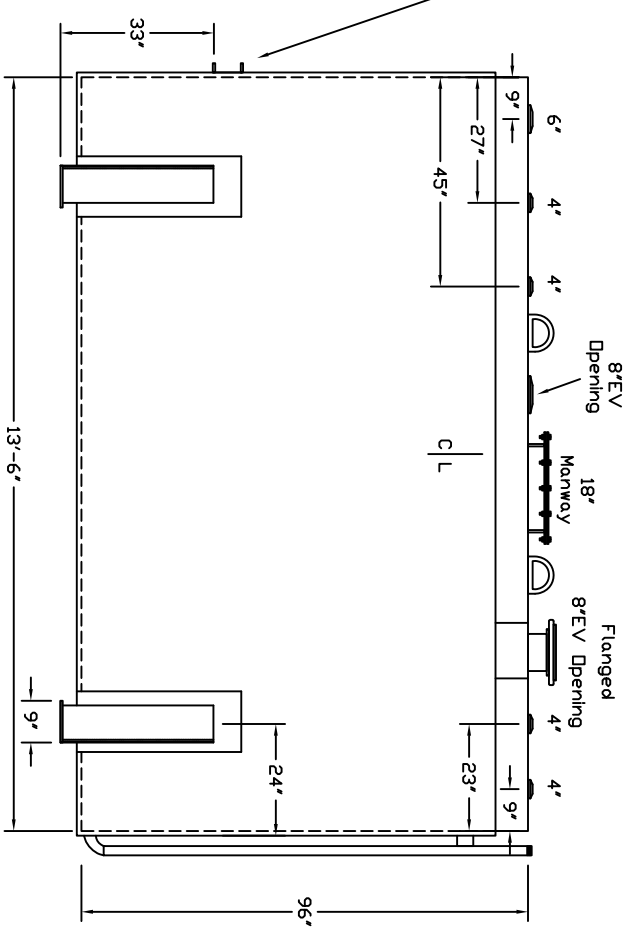
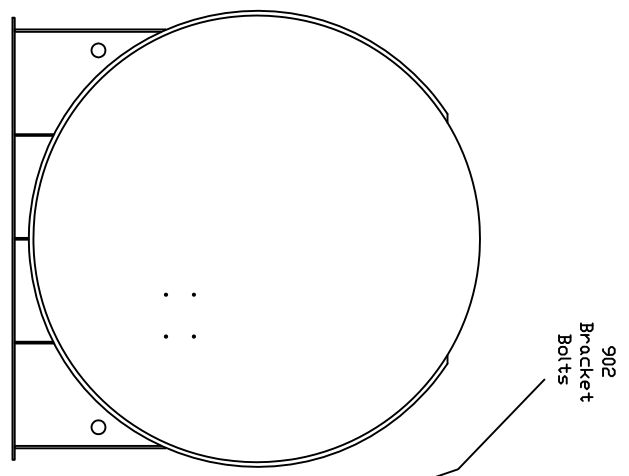


Starwade Metal Products, Inc.  
 6868 State Route 305 PD Box 10  
 Hartford, Ohio 44424  
 Phone: 800-826-5243 Fax: 1-330-772-3307  
 www.tankstore.com

Capacity ----- 5,000 Gallons ----- Heads Primary ----- 1/4" ----- Paint Ext. ----- Red Primer -----  
 Design ----- AG Doublewall ----- Shell Primary ----- 1/4" ----- Paint Int. -----  
 Code ----- UL 142 ----- Heads Secondary ----- 1/4" ----- Weight Empty ----- 8,700 lbs. -----  
 Test Pres. ----- 5 PSI ----- Shell Secondary ----- 10 Gauge ----- Rev.# ----- Date: -----



Customer: \_\_\_\_\_ Drg. Date: \_\_\_\_\_ Drawing Approved By: \_\_\_\_\_  
 Quoted Lead Times Begin Upon Receipt of signed Approved Drawing, Which Must be Returned Before Production Can Begin.