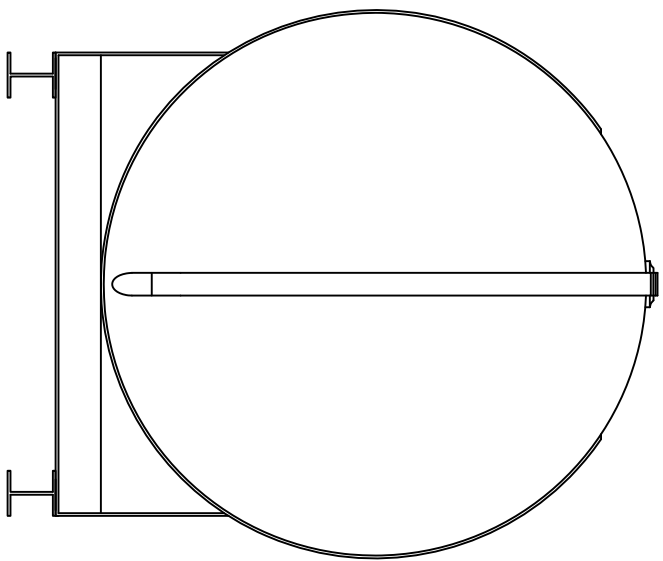
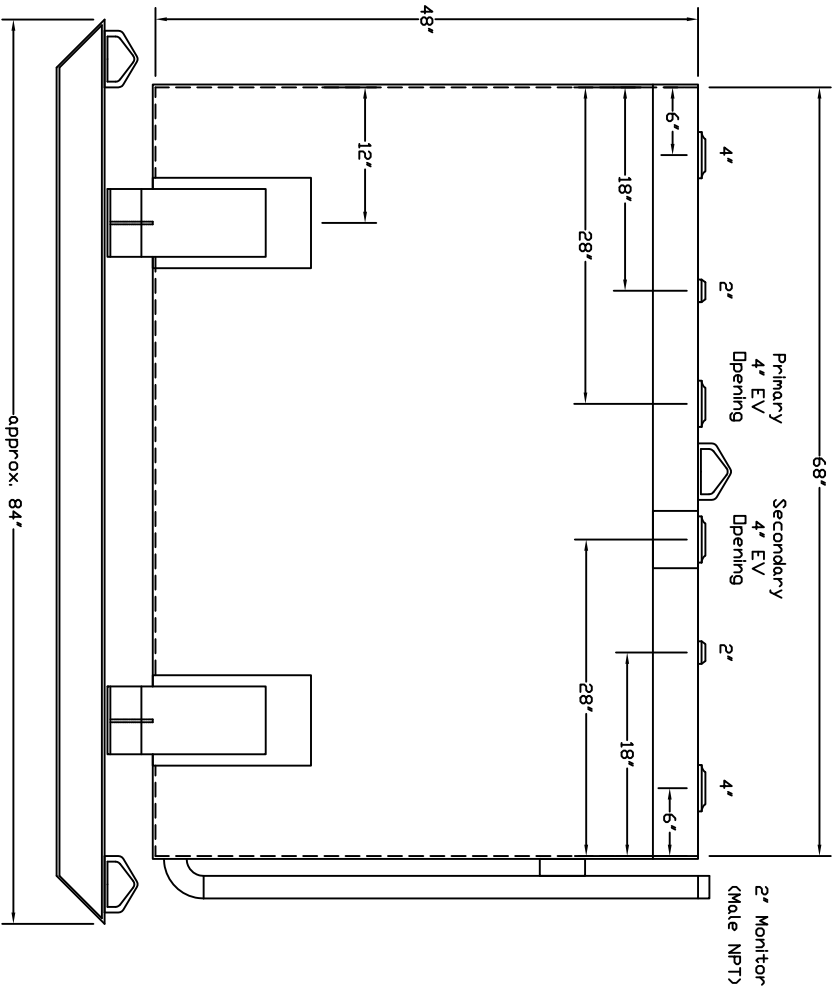


Starwade Metal Products, Inc.
 6868 State Route 305 PD Box 10
 Hartford, Ohio 44424
 Phone: 800-826-5243 Fax: 1-330-772-3307
 www.tankstore.com

Tank for Stationary Use Only

Capacity	520 Gallons	Heads	Primary	10 Ga.	Paint Ext.	Red Primer
Design	Doublewall Beamskid	Shell Primary	12 Ga.	Paint Int.		
Code	UL 142	Heads Secondary	12 Ga.	Weight Empty	1,350 lbs.	
Test Pres.	5 PSI	Shell Secondary	12 Ga.	Rev.#		Date:



4' @ 13 lbs. I-Beam

Customer: _____ Drg. Date: _____ Drawing Approved By: _____
 Quoted Lead Times Begin Upon Receipt of signed Approved Drawing, Which Must be Returned Before Production Can Begin.