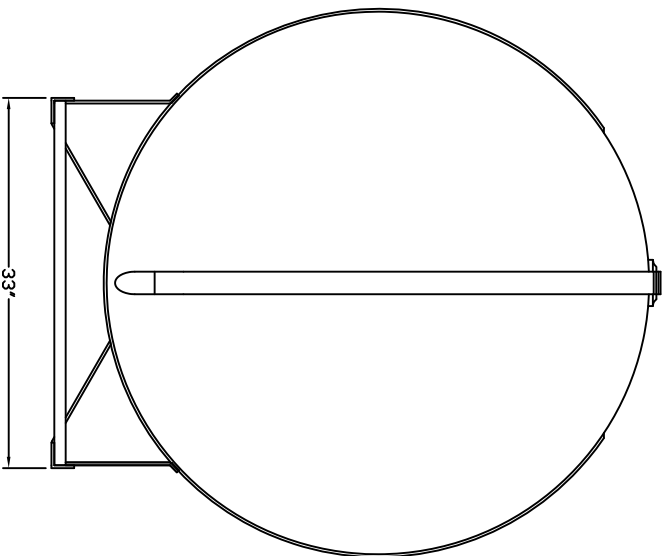
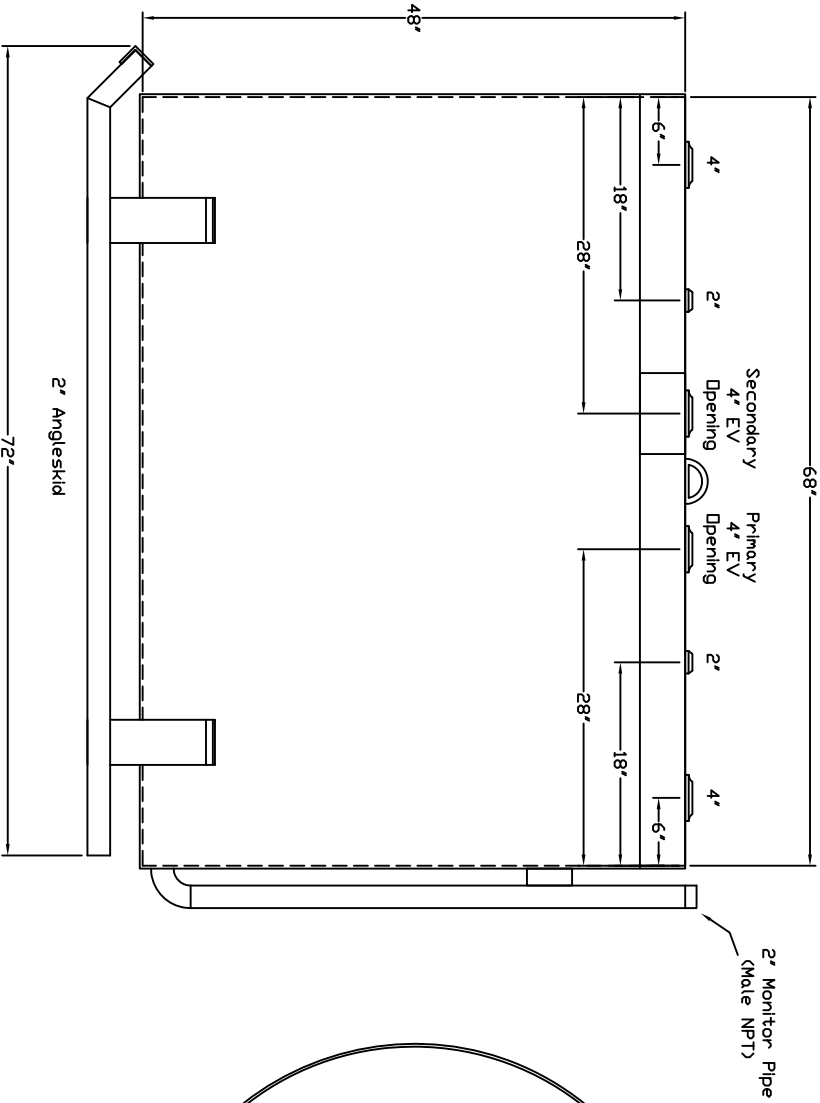


Starwade Metal Products, Inc.
 6868 State Route 305 PD Box 10
 Hartford, Ohio 44424
 Phone: 800-826-5243 Fax: 1-330-772-3307
 www.tankstore.com

Tank for Stationary Use Only

| | | | | | |
|------------|-------------------------|-----------------|--------|--------------|------------|
| Capacity | 520 Gallons | Heads Primary | 10 Ga. | Paint Ext. | Red Primer |
| Design | AG Doublewall Angleskid | Shell Primary | 12 Ga. | Paint Int. | |
| Code | UL 142 | Heads Secondary | 12 Ga. | Weight Empty | 1,350 lbs. |
| Test Pres. | 5 PSI | Shell Secondary | 12 Ga. | Rev.# | Date: |



Customer: _____ Drg. Date: _____ Drawing Approved By: _____

Quoted Lead Times Begin Upon Receipt of signed Approved Drawing, Which Must be Returned Before Production Can Begin.