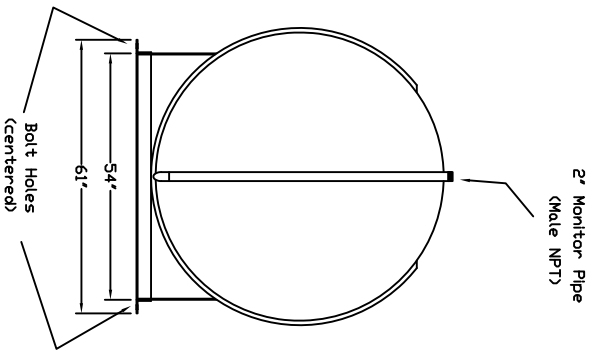
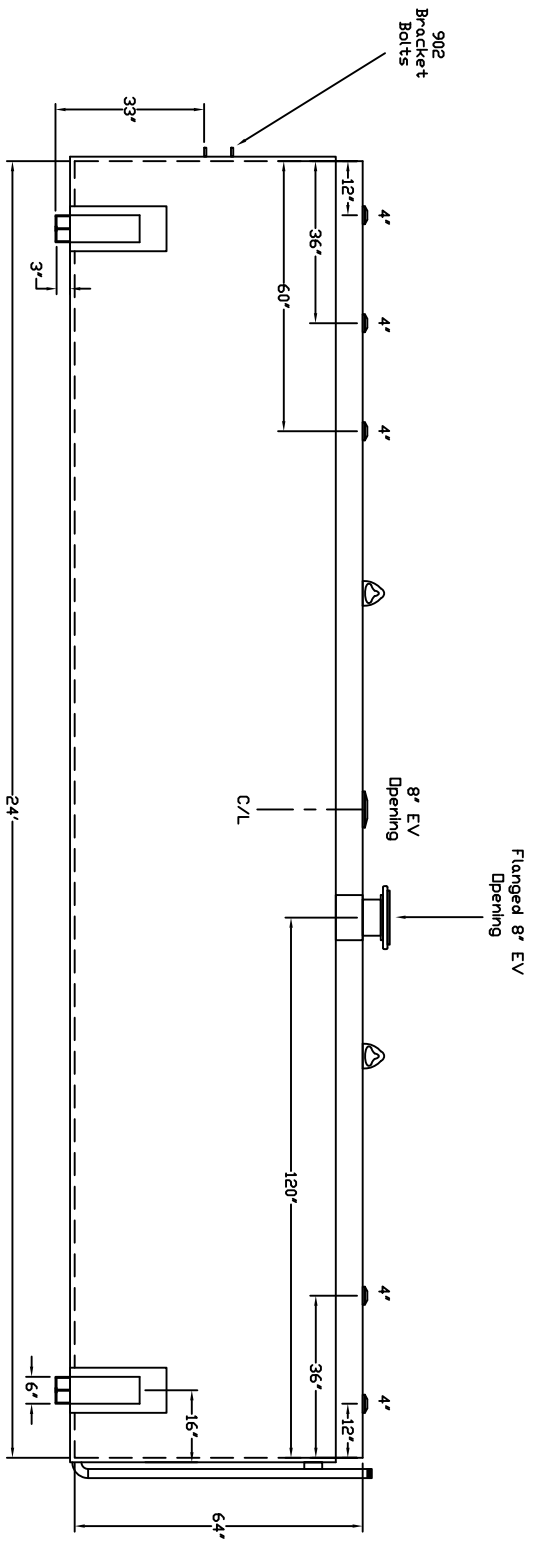


Storwade Metal Products, Inc.
 6868 State Route 305 PD Box 10
 Hartford, Ohio 44424
 Phone: 800-826-5243 Fax: 1-330-772-3307
 www.tankstore.com

Capacity ----- 4,000 Gallons
 Design ----- Double Wall AG
 Code ----- UL 142 Flashesield
 Test Pres. ----- 5 PSI
 Heads Primary ----- 7 Ga.
 Heads Secondary ----- 7 Ga.
 Shell Secondary ----- 10 Ga.
 Paint Ext. ----- White Urethane
 Paint Int. -----
 Weight Empty ----- 6,550 lbs.
 Rev.# ----- Date: -----



Tank For Stationary Use Only



Customer: ----- Drg. Date: ----- Drawing Approved By: -----
 Quoted Lead Times Begin Upon Receipt of signed Approved Drawing, Which Must be Returned Before Production Can Begin.