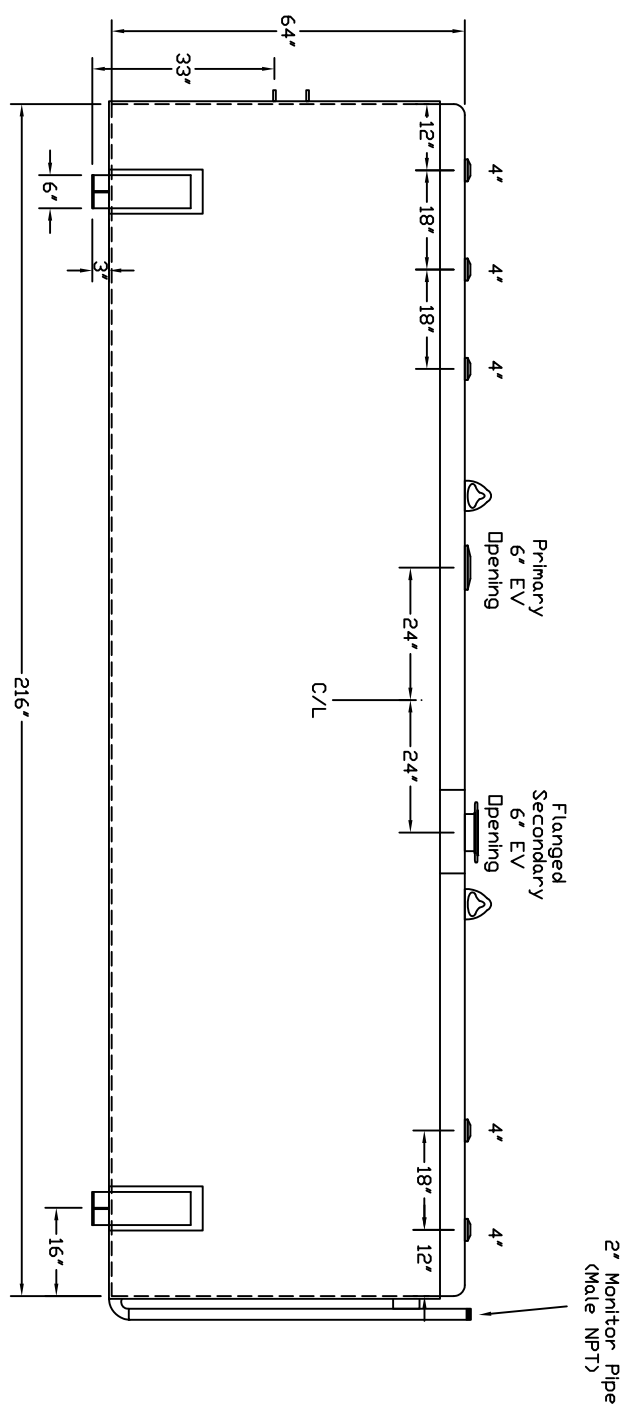
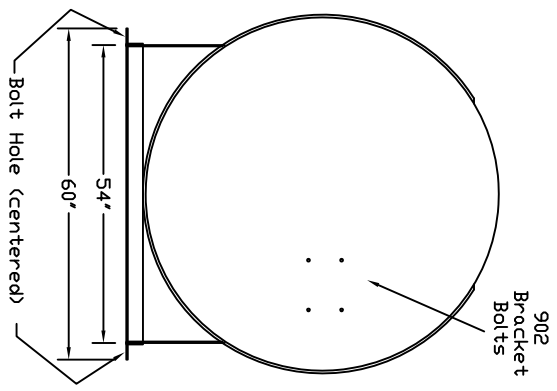


Starwade Metal Products, Inc.
 6868 State Route 305 PD Box 10
 Hartford, Ohio 44424
 Phone: 800-826-5243 Fax: 1-330-772-3307
 www.tankstore.com

Tank For Stationary Use Only



Capacity	3,000 Gallons	Heads	Primary	7 Gauge	Paint Ext.	White Urethane
Design	Aboveground Doublewall	Shell	Primary	7 Gauge	Paint Int.	
Code	UL 142 Flameshield	Heads	Secondary	7 Gauge	Weight Empty	5,150 lbs.
Test Pres.	5 PSI	Shell	Secondary	10 Gauge	Rev.#	Date:



Customer: _____ Drg. Date: _____ Drawing Approved By: _____

Quoted Lead Times Begin Upon Receipt of signed Approved Drawing, Which Must be Returned Before Production Can Begin.