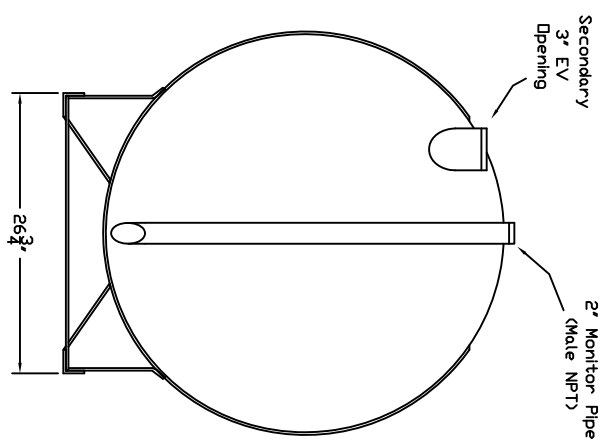
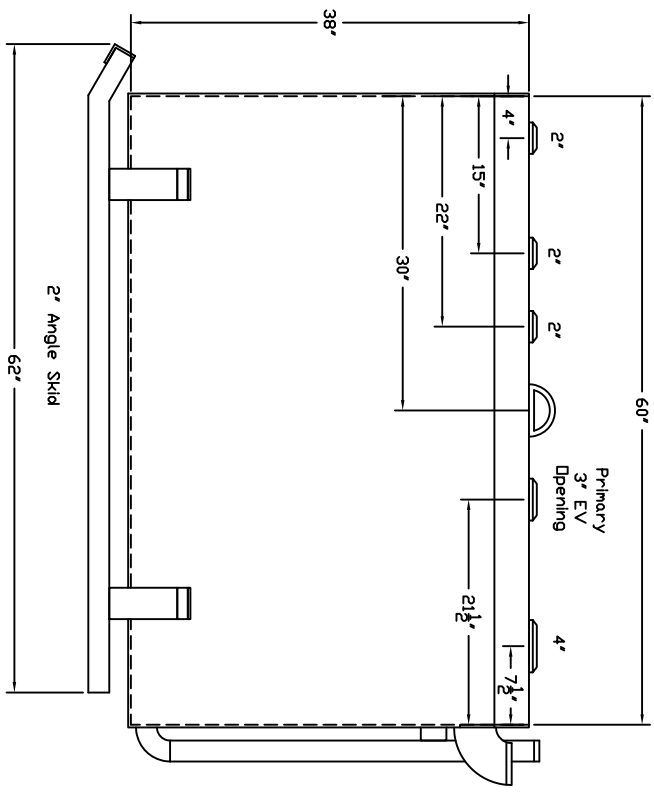
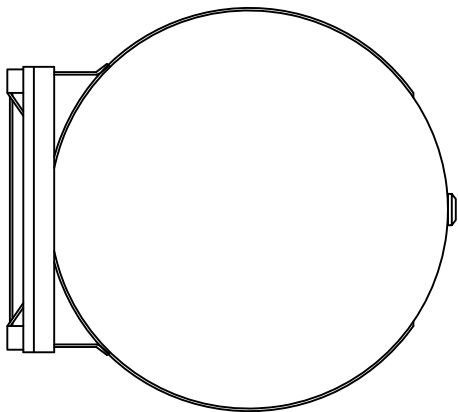


Starwade Metal Products, Inc.
 6868 State Route 305 PD Box 10
 Hartford, Ohio 44424
 Phone: 800-826-5243 Fax: 1-330-772-3307
 www.tankstore.com

Tank for stationary use only

Capacity ----- 300 Gallons -----
 Design ----- AG Doublewall Angleskid -----
 Code ----- UL 142 -----
 Test Pres. ----- 5 PSI -----
 Heads Primary ----- 10 Gauge -----
 Heads Secondary ----- 10 Gauge -----
 Shell Primary ----- 12 Gauge -----
 Shell Secondary ----- 12 Gauge -----

Paint Ext. ----- Red Primer -----
 Paint Int. ----- -----
 Weight Empty ----- 1,000 lbs. -----
 Rev.# ----- Date: -----



Customer: -----

Drg. Date: -----

Drawing Approved By: -----

Quoted Lead Times Begin Upon Receipt of signed Approved Drawing, Which Must be Returned Before Production Can Begin.