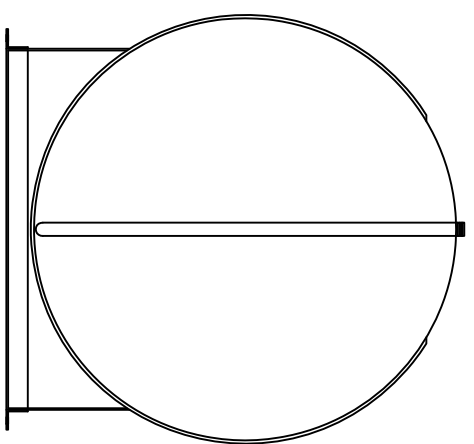
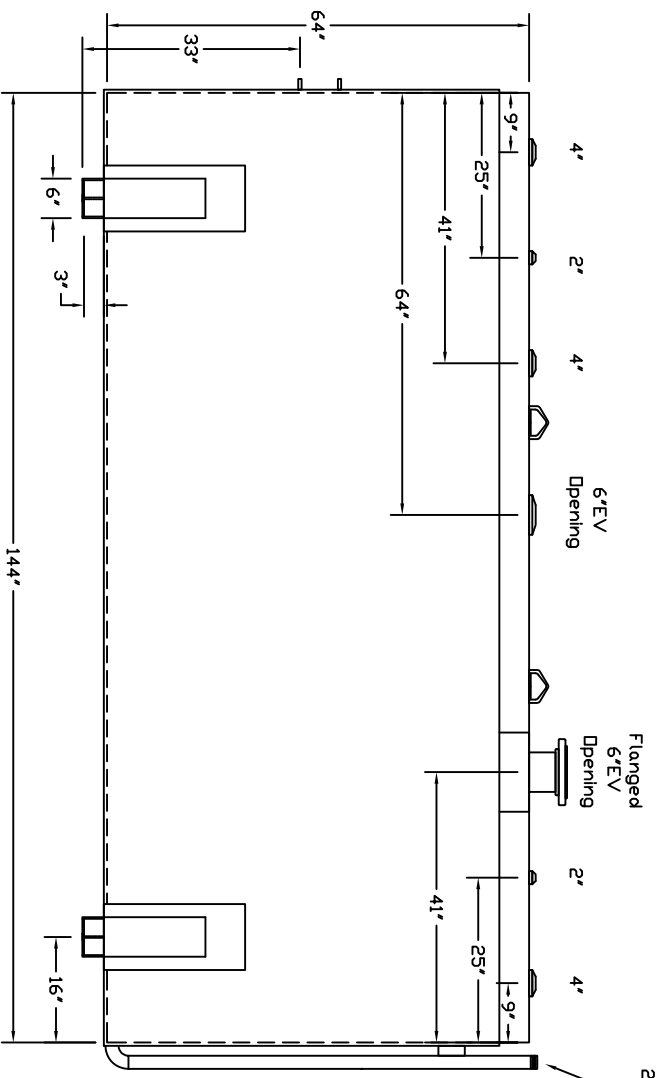
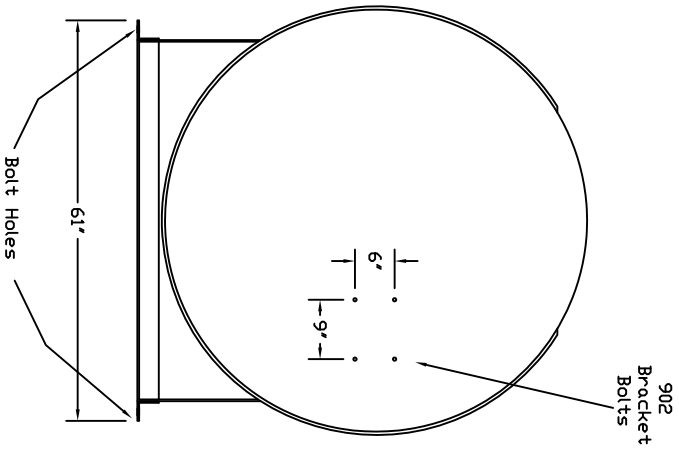


Starwade Metal Products, Inc.
 6868 State Route 305 PD Box 10
 Hartford, Ohio 44424
 Phone: 800-826-5243 Fax: 1-330-772-3307
 www.tankstore.com

Tank For Stationary Use Only

Capacity ----- 2,000 Gallons ----- Heads Primary ----- 7 Gauge ----- Paint Ext. ----- Red Primer -----
 Design ----- AG Doublewall ----- Shell Primary ----- 7 Gauge ----- Paint Int. -----
 Code ----- UL 142 ----- Heads Secondary ----- 7 Gauge ----- Weight Empty ----- 3,700 lbs. -----
 Test Pres. ----- 5 PSI ----- Shell Secondary ----- 10 Gauge ----- Rev.# ----- Date: -----



Customer: -----

Drg. Date: -----

Drawing Approved By: -----

Quoted Lead Times Begin Upon Receipt of signed Approved Drawing, Which Must be Returned Before Production Can Begin.