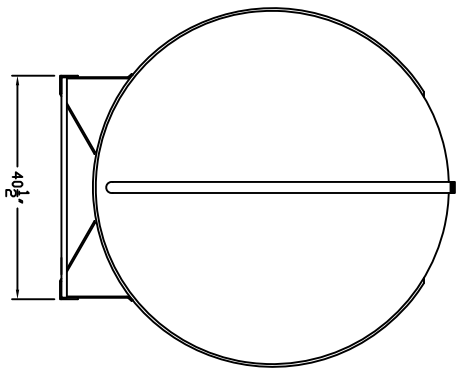
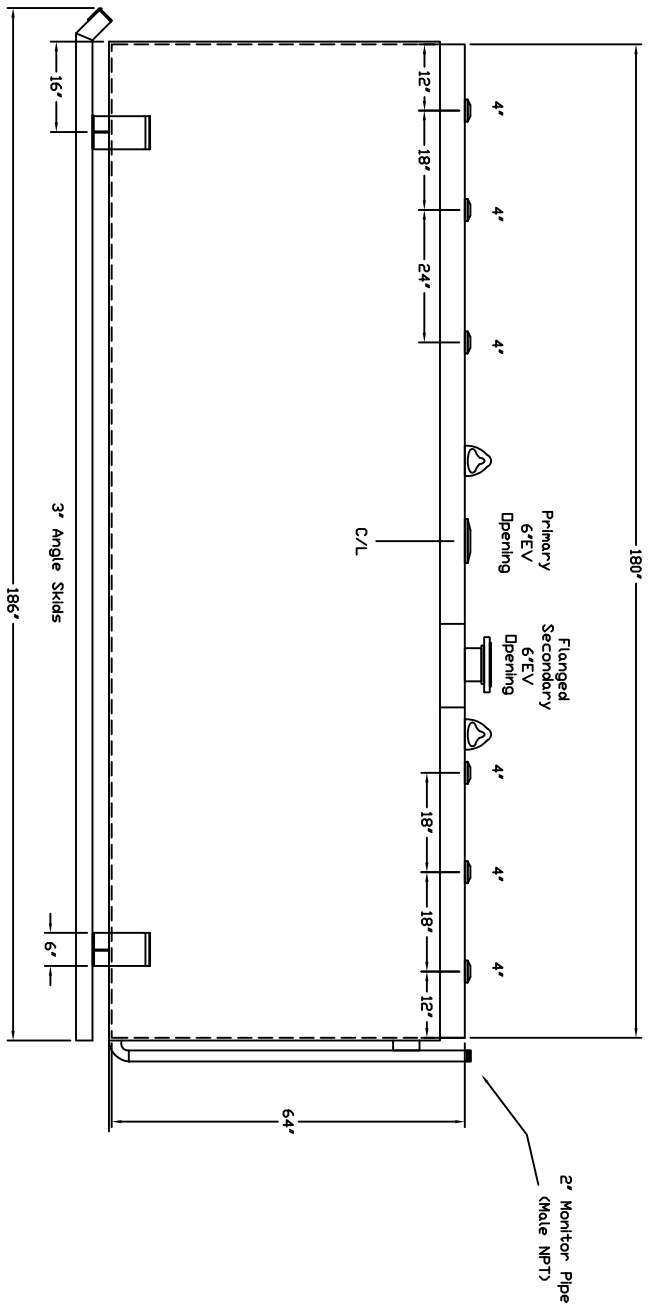


Starwade Metal Products, Inc.  
 6868 State Route 305 PD Box 10  
 Hartford, Ohio 44424  
 Phone: 800-826-5243 Fax: 1-330-772-3307  
 www.tankstore.com

Tank For Stationary Use Only

Capacity	2,500 Gallons	Heads	Primary	7 Gauge	Paint Ext.	Red Primer
Design	Aboveground Doublewall Angle Skid	Shell Primary	7 Gauge	Paint Int.		
Code	UL 142	Heads Secondary	7 Gauge	Weight Empty	4,400 lbs.	
Test Pres.	5 PSI	Shell Secondary	10 Gauge	Rev.#		Date:



Customer: \_\_\_\_\_ Drg. Date: \_\_\_\_\_ Drawing Approved By: \_\_\_\_\_

Quoted Lead Times Begin Upon Receipt of signed Approved Drawing, Which Must be Returned Before Production Can Begin.