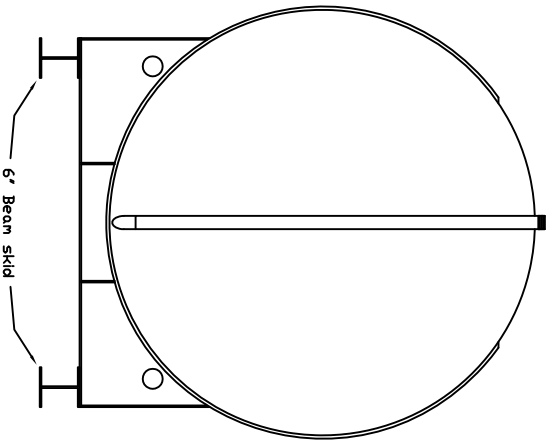
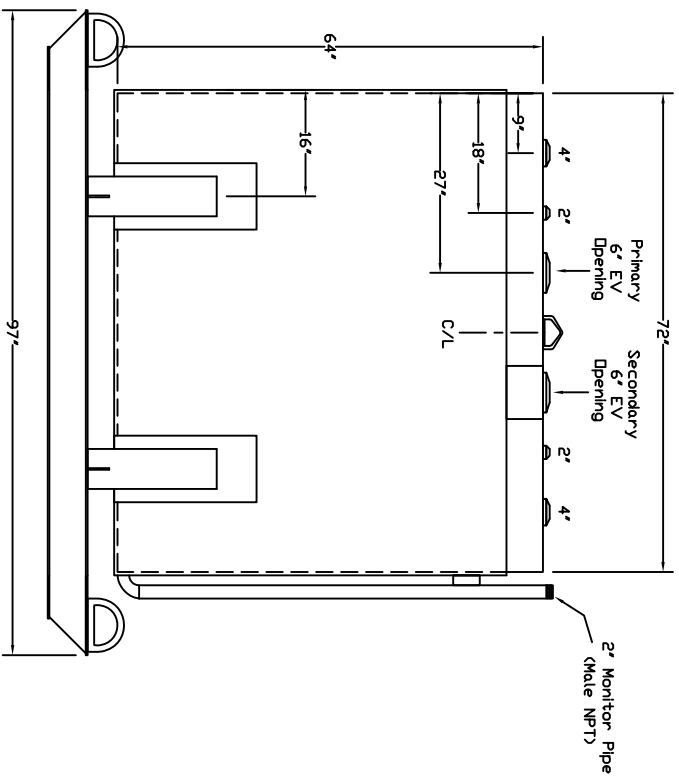
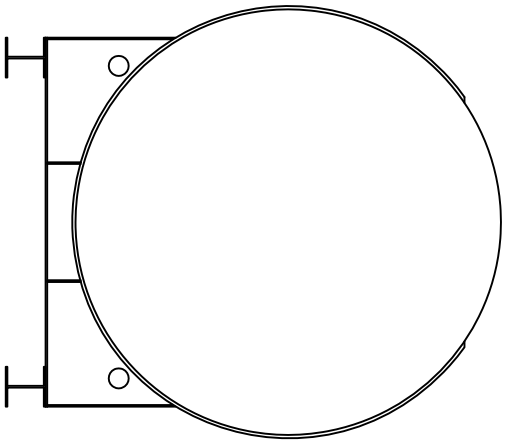


Starwade Metal Products, Inc.  
 6868 State Route 305 PD Box 10  
 Hartford, Ohio 44424  
 Phone: 800-826-5243 Fax: 1-330-772-3307  
 www.tankstore.com

Tank For Stationary Use Only

Capacity ----- 1,000 Gallons -----  
 Design ----- Doublewall Beamskid -----  
 Code ----- UL 142 -----  
 Test Pres. ----- 5 PSI -----  
 Heads Primary ----- 7 Ga. -----  
 Heads Secondary ----- 7 Ga. -----  
 Shell Primary ----- 7 Ga. -----  
 Shell Secondary ----- 10 Ga. -----

Paint Ext. ----- Red Primer -----  
 Paint Int. ----- -----  
 Weight Empty ----- 2,700 lbs. -----  
 Rev.# ----- Date: -----



Customer: -----

Drq. Date: -----

Drawing Approved By: -----

Quoted Lead Times Begin Upon Receipt of signed Approved Drawing, Which Must be Returned Before Production Can Begin.