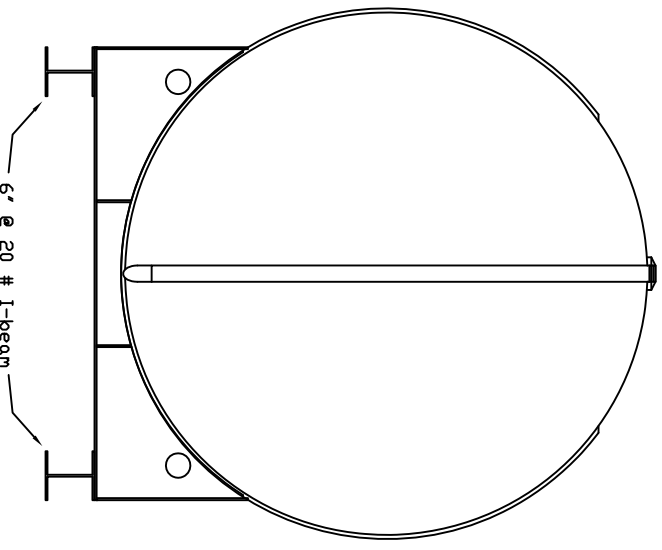
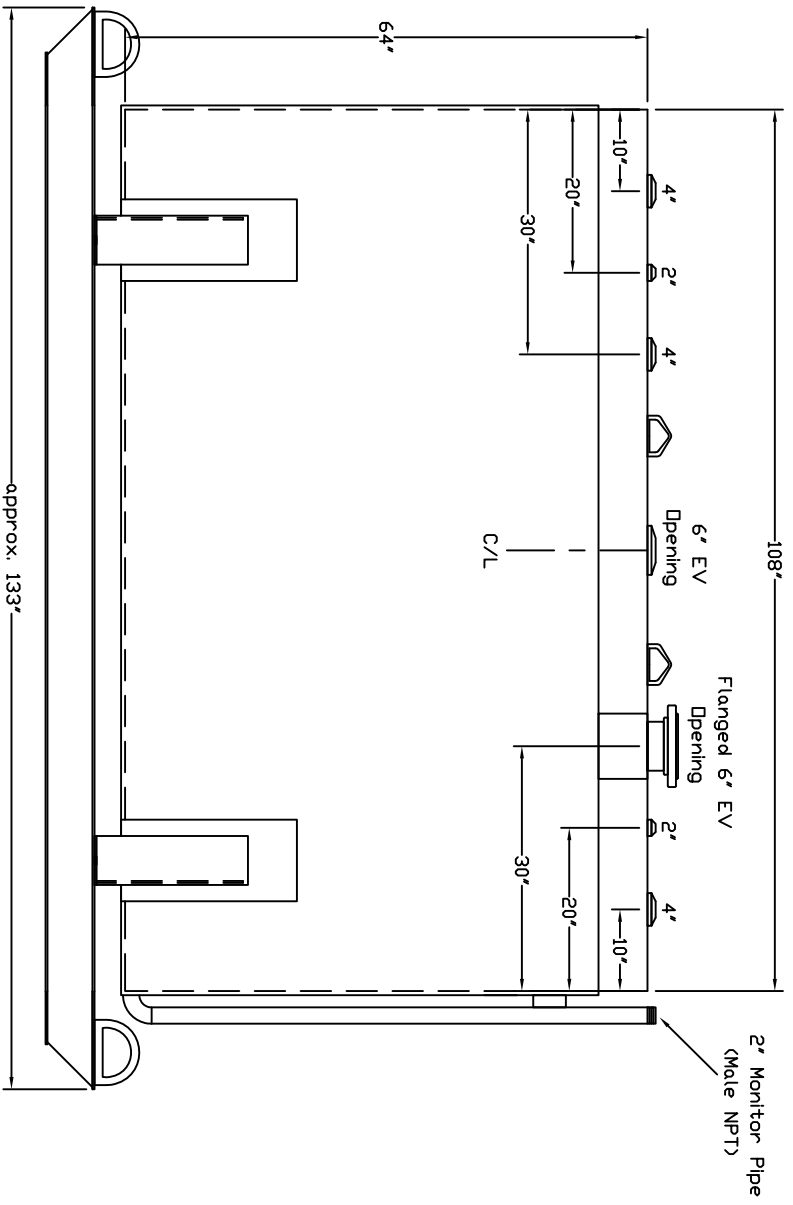


Stankwade Metal Products, Inc.  
 6868 State Route 305 PD Box 10  
 Harttford, Ohio 44424  
 Phone: 800-826-5243 Fax: 1-330-772-3307  
 www.tankstore.com

Tank For Stationary Use Only

|            |                     |                 |        |              |            |
|------------|---------------------|-----------------|--------|--------------|------------|
| Capacity   | 1,500 Gallons       | Heads Primary   | 7 Ga.  | Paint Ext.   | Red Primer |
| Design     | Doublewall Beamskid | Shell Primary   | 7 Ga.  | Paint Int.   |            |
| Code       | UL 142              | Heads Secondary | 7 Ga.  | Weight Empty | 3,450 lbs. |
| Test Pres. | 5 PSI               | Shell Secondary | 10 Ga. | Rev.#        | Date:      |



Customer: \_\_\_\_\_

Drg. Date: \_\_\_\_\_

Drawing Approved By: \_\_\_\_\_

Quoted Lead Times Begin Upon Receipt of signed Approved Drawing, Which Must be Returned Before Production Can Begin.